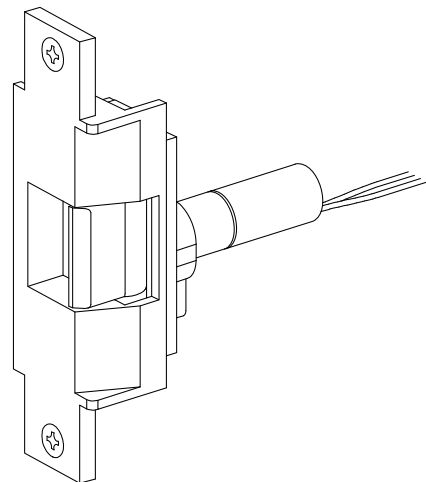
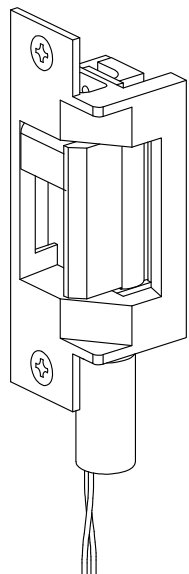
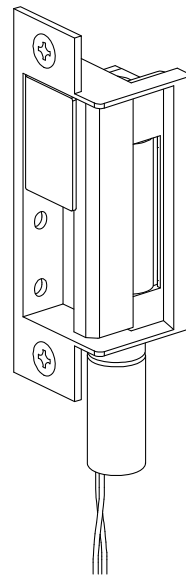
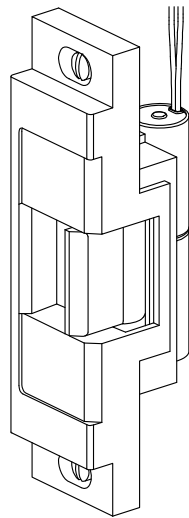


VON DUPRIN®

PARTS MANUAL

JULY 2009

6000 SERIES ELECTRIC STRIKES



PM6000_A
VD-5563

IR Ingersoll Rand
Security Technologies

Copyright © 2009 Ingersoll-Rand. All rights reserved.

INDEX

General Information

Introduction	2
How to Order	2
Part Number Changes	2
6000 Series Electric Strike Finishes	2

6000 Series Electric Strike Parts

Solenoids and Solenoid Parts	3
Box Parts: Type B Box	4
Box Parts: Type A Box, Type C Box, Offset Box	6
Faceplates, Screws, Inserts, Box Assemblies, Tripper Extensions, and Connectors	
Strike Box Type	
6111 C	8
6112 C	18
6113 C	8
6114 A	10
6121 C	18
6210 Offset	22
6211 A	12
6211AL A	12
6211WF B	14
6212 A	12
6212WF B	14
6213 C	8
6214 A	10
6215 A	10
6216 C	20
6221 B	16
6222 A	10
6223 B	16
6224 A	10
6224AL A	10
6225 A	10
6226 A	10
Accessories	3

INTRODUCTION

This manual lists replaceable parts and assemblies for 6000 Series Electric Strikes.

HOW TO ORDER

Some parts are sold separately. Other items are available as part of a kit or multiple quantity package. For the best possible service when ordering replacement parts or assemblies, please provide the following information:

- Part number or assembly number
- Description
- Quantity needed
- Finish desired (if available finished)
- Date of original purchase (if known)

To find out the name of your local Von Duprin distributor or sales representative, contact:

Von Duprin Division
 Ingersoll-Rand Company
 2720 Tobey Drive
 Indianapolis, Indiana 46219
 Phone: (800) 999-0408
 Fax: (800) 999-0328

PART NUMBER CHANGES

This manual reflects product sold in July 2009. Because of changes to product and/or manufacturing process, part numbers can change.

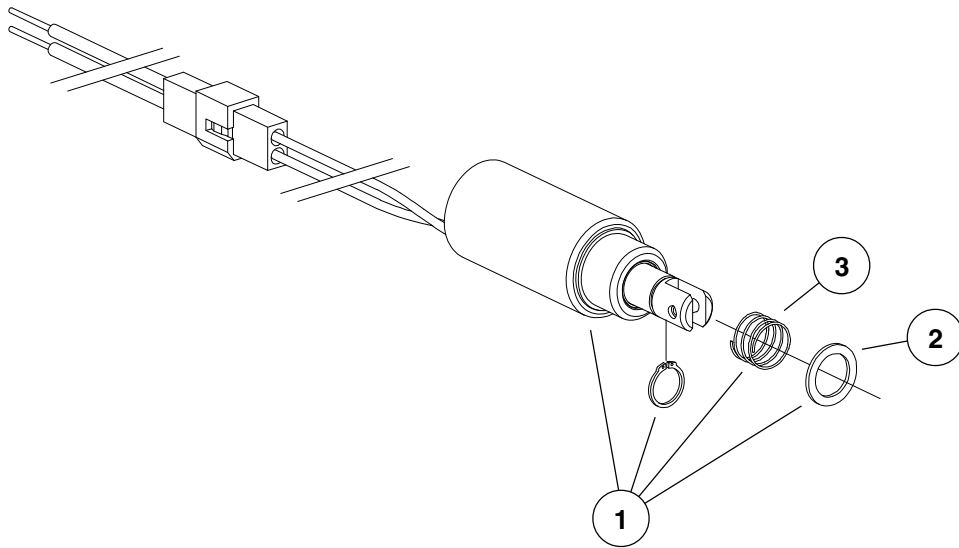
6000 SERIES ELECTRIC STRIKE FINISHES

US Number	BHMA Number	Color
US3	605	Brass, polished
US4	606	Brass, dull
US10	612	Bronze, dull
US10B	640	Brass, dull (oxidized)
US32	629	Chrome, polished
US32D	630	Chrome, dull

SOLENOIDS AND SOLENOID PARTS

Item No.	Part No.	Description	Quantity	Finish
1	050237	6000 Series Solenoid Kit 12VDC (FS & FSE)	1	
1	050239	6000 Series Solenoid Kit 16VDC (FS & FSE)	1	
1	050240	6000 Series Solenoid Kit 24VDC (FS & FSE)	1	
2	964037	Solenoid Washer	1	
3	968713	Solenoid Spring	1	

X in "Finish" column designates finished item; specify finish when ordering.



BOX PARTS: TYPE B BOX

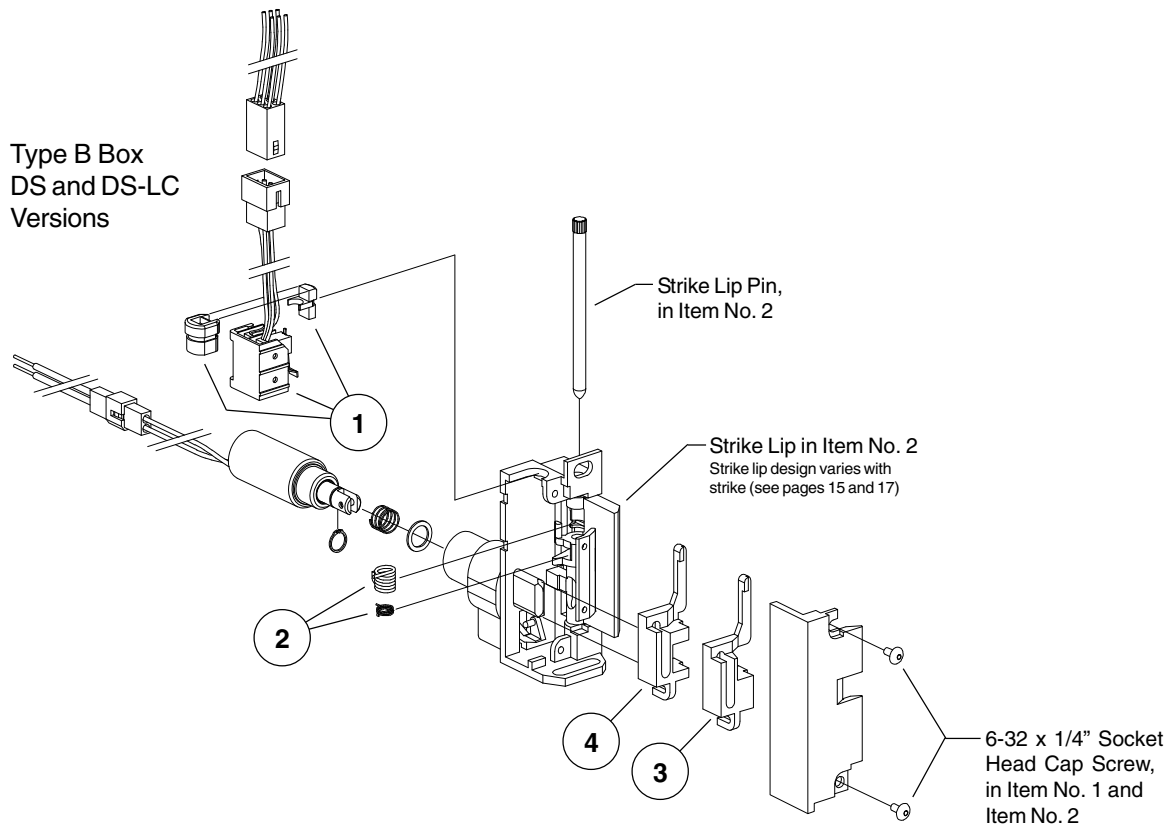
Item No.	Part No.	Description	Quantity	Finish
1	050015	6000 DS Replacement Kit Type B		
		6000 Switch & Mtg. Assy.	1	
		6-32 x 1/4" Socket Head Cap Screw	2	
		Wire Strain Relief	1	
1	050018	6000 DS-LC Replacement Kit Type B		
		Same parts as 050015 for DS-LC Version		
2	050939	Type A or B Box Spring Kit		
		6-32 x 1/4" Socket Head Cap Screw	2	
		Tripper Spring	1	
		Torsion Spring	1	
		Strike Lip Pin	1	
		Strike Lip	1	
3	970387	FS Slider (6211WF/6212WF/6221/6223 Only)	1	
4	970388	FSE Slider (6211WF/6212WF/6221/6223 Only)	1	

X in "Finish" column designates finished item; specify finish when ordering.

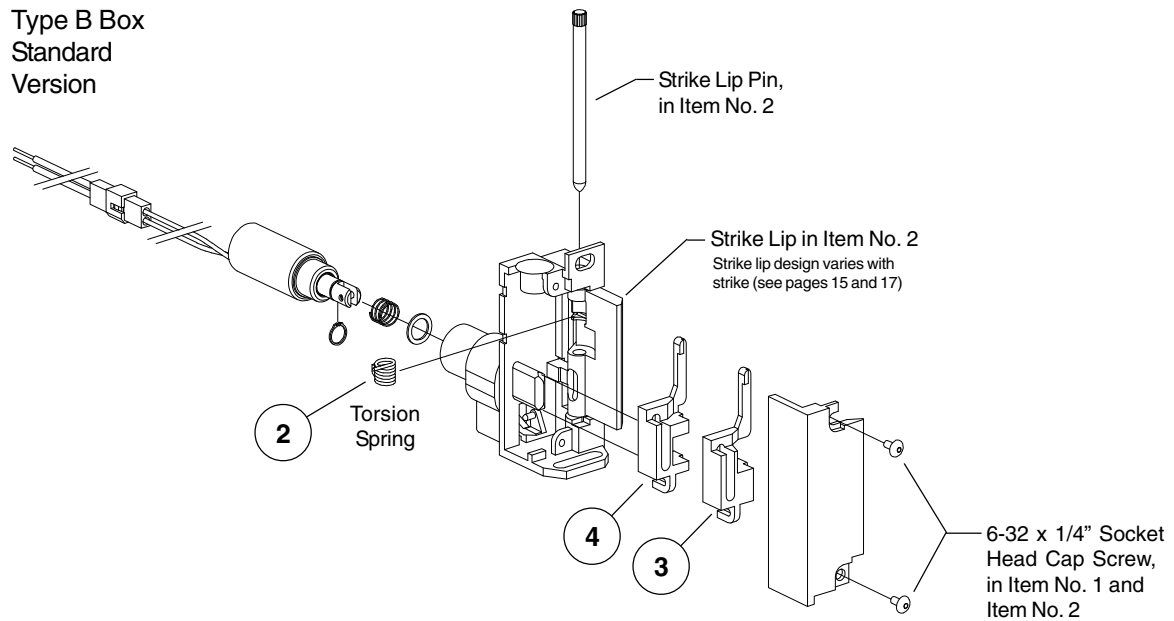
Type B Box Used for:

6211WF
6212WF
6221
6223

Type B Box
DS and DS-LC
Versions



Type B Box
Standard
Version



SOLENOID AND BOX PARTS: TYPE A BOX, TYPE C BOX, OFFSET BOX

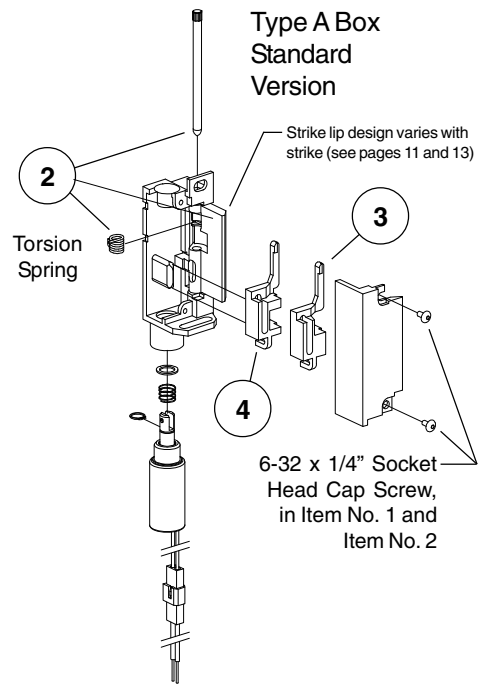
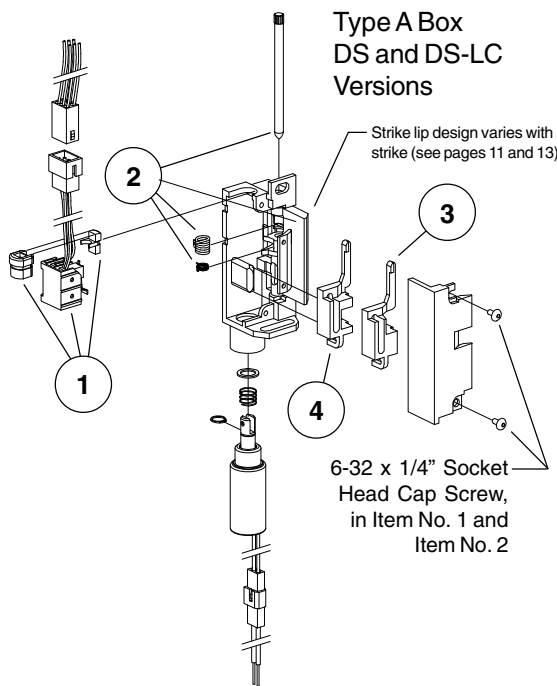
Item No.	Part No.	Description	Quantity	Finish
1	050011	6000 DS Replacement Kit Type A		
		6000 Switch & Mtg. Assy.	1	
		6-32 x 1/4" Socket Head Cap Screw	2	
		Wire Strain Relief	1	
1	050016	6000 DS-LC Replacement Kit Type A	1	
		Same parts as 050011 for DS-LC Version		
2	050939	Type A or B Box Spring Kit (includes items listed below)		
	050941	Type C Box Spring Kit (includes items listed below)		
	050940	Type Offset Box Spring Kit (includes items listed below)		
		6-32 x 1/4" Socket Head Cap Screw	2	
		Tripper Spring	1	
		Torsion Spring	1	
		Strike Lip Pin	1	
		Strike Lip	1	
3	970387	FSE Slider (Except 6211WF/6212WF/6221/6223)	1	
4	970388	FS Slider (Except 6211WF/6212WF/6221/6223)	1	

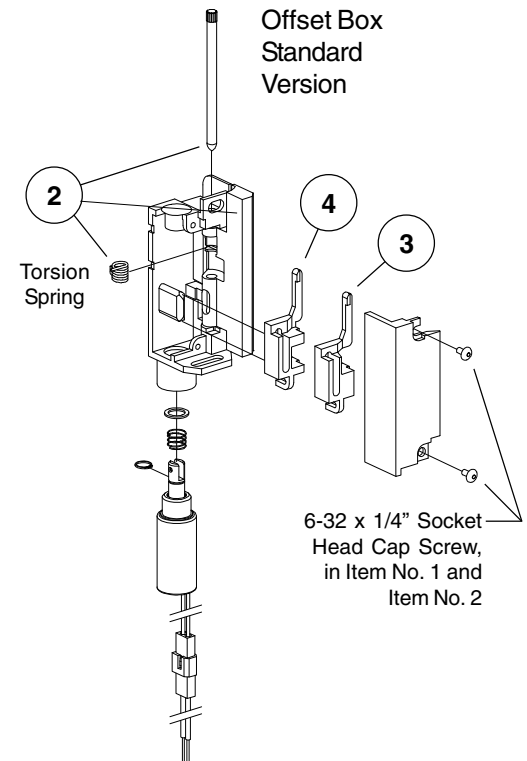
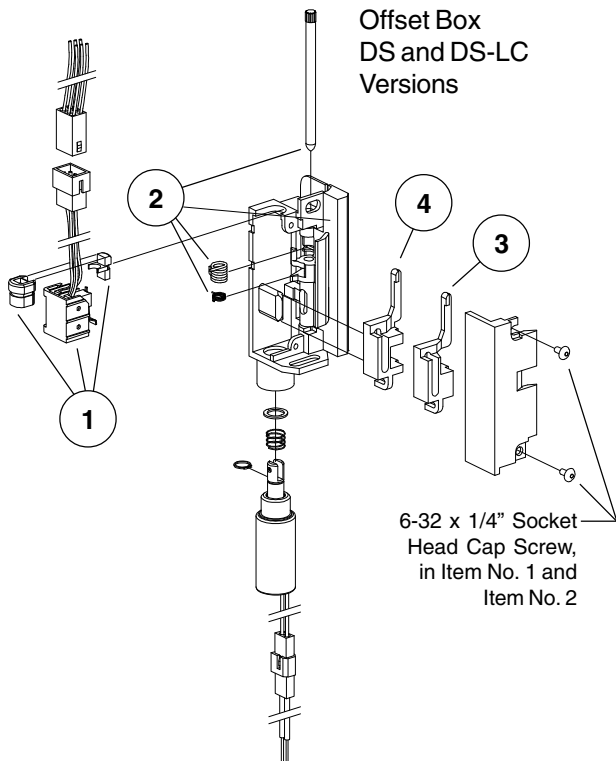
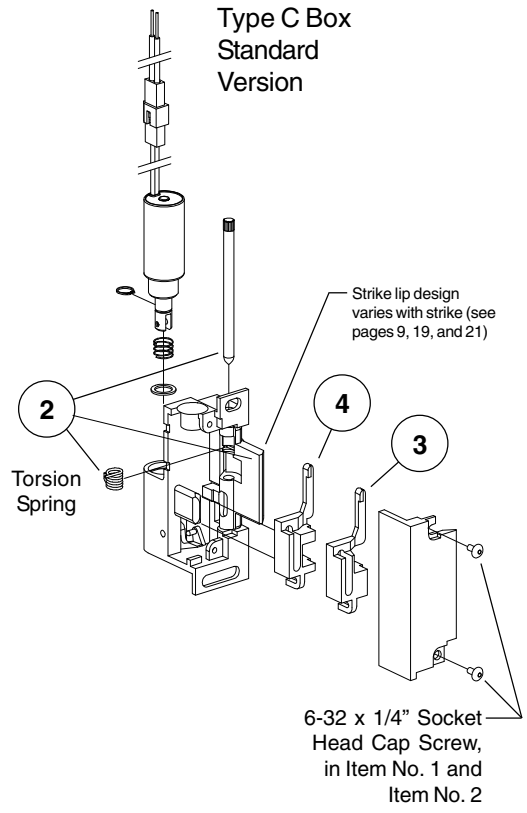
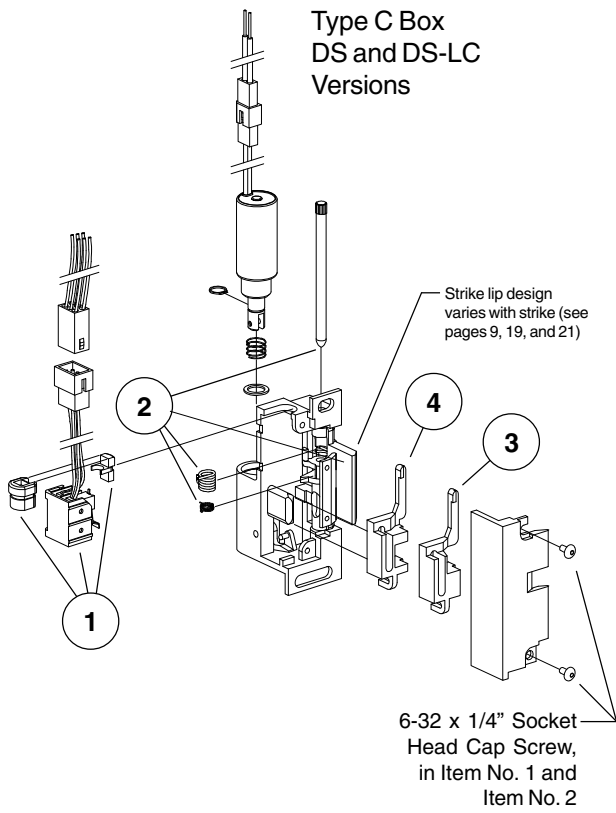
X in "Finish" column designates finished item; specify finish when ordering.

Type A Box Used for:	
6211	6222
6211AL	6224
6212	6224AL
6214	6225
6215	6226

Type C Box Used for:	
6111	6121
6112	6213
6113	6216

Offset Box Used for:
6210



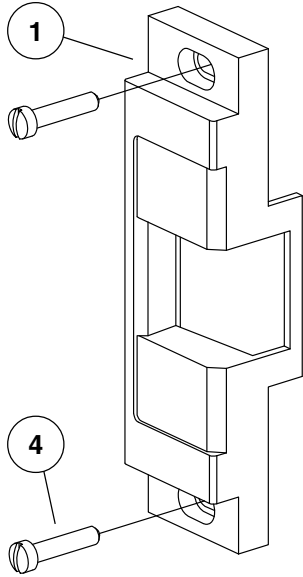


6111, 6113, 6213

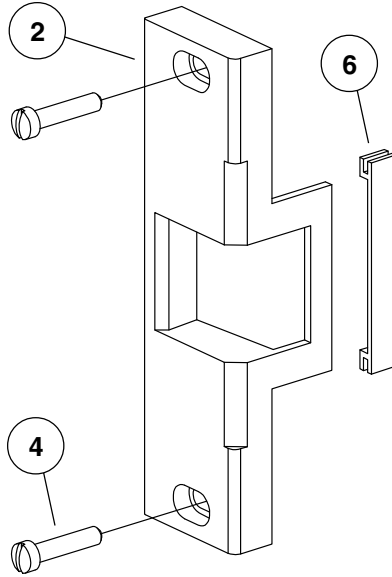
Item No.	Part No.	Description	Quantity	Finish
1	970271	6111 Faceplate	1	X
2	970280	6113 Faceplate	1	X
3	970278	6213 Faceplate	1	X
4	900870	6111/6113 Screw Pkg.		X
		12-24 x 1" Slotted Fill. HMS	2	
		Connector-E98/99/6000 ES	2	
5	900288	6210/11/13/14/16/22/24/25/26 Screw Pkg.		X
		12-24 x 1/2" UFPHMS	2	
		Connector-E98/99/6000 ES	2	
6	900347	6113 Frame Insert Pkg.	1	
7	111743	6111, 6113, 6213 12VDC FS Box Assy.	1	
7	111744	6111, 6113, 6213 12VDC FSE Box Assy.	1	
7	111745	6111, 6113, 6213 24VDC FS Box Assy.	1	
7	111746	6111, 6113, 6213 24VDC FSE Box Assy.	1	
8	111747	6111, 6113, 6213 12VDC FS DS Box Assy.	1	
8	111748	6111, 6113, 6213 12VDC FSE DS Box Assy.	1	
8	111749	6111, 6113, 6213 24VDC FS DS Box Assy.	1	
8	111750	6111, 6113, 6213 24VDC FSE DS Box Assy.	1	
8	112772	6111/6113/6213 12VDC FS DS-LC Box Assy.	1	
8	112773	6111/6113/6213 12VDC FSE DS-LC Box Assy.	1	
8	112774	6111/6113/6213 24VDC FS DS-LC Box Assy.	1	
8	112775	6111/6113/6213 24VDC FSE DS-LC Box Assy.	1	
9	964019	#8 Ext. Tooth Lock Washer	1	
10	964070	8-32 x 3/8" PPHMS	1	
11	970384	DS Tripper Extension	1	
12	900344	DS Tripper Extension & Connector		
		Tripper Extension	1	
		4-40 x 1/8" Socket Head Cap Screw	2	
		Connector-E98/99/6000 ES	6	
13	990132	Connector-E98/99/6000 ES	1	

X in "Finish" column designates finished item; specify finish when ordering.

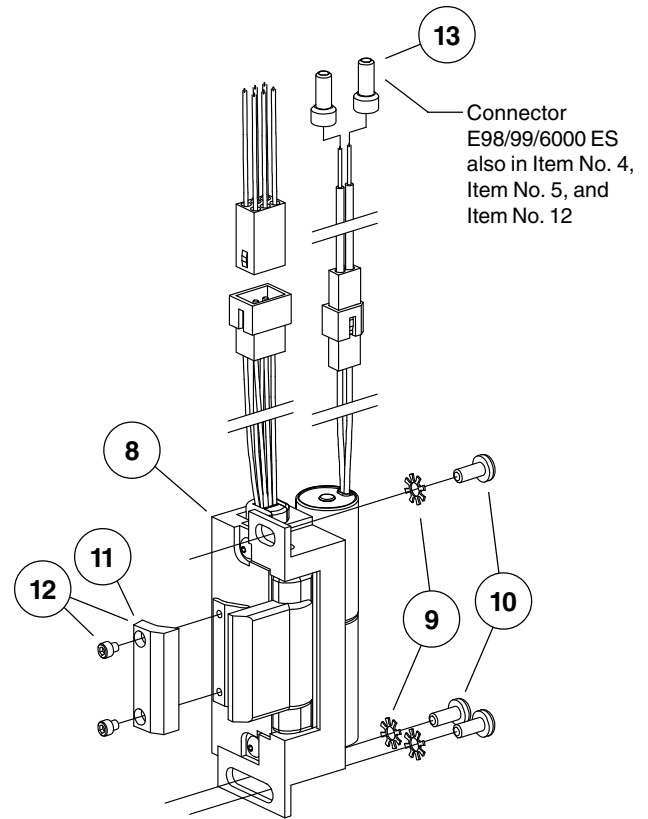
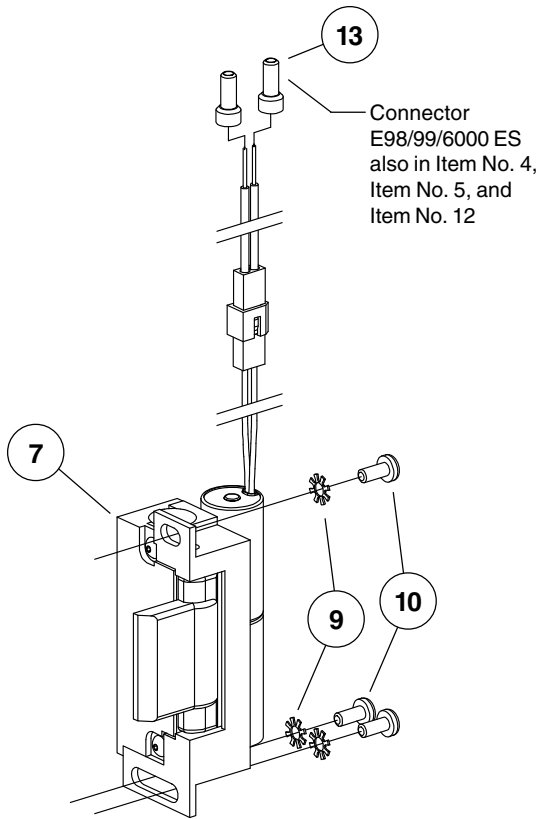
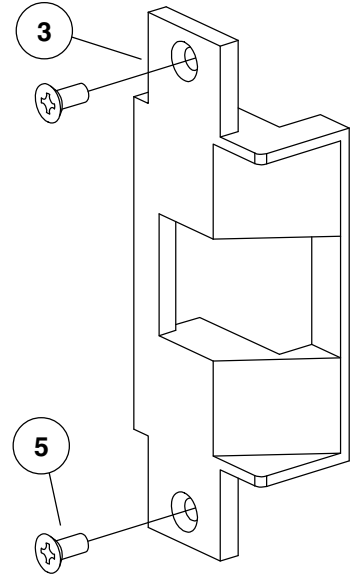
6111



6113



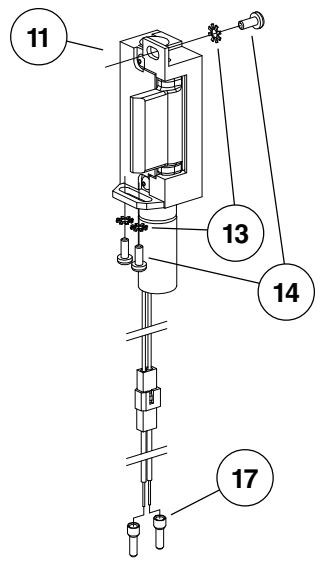
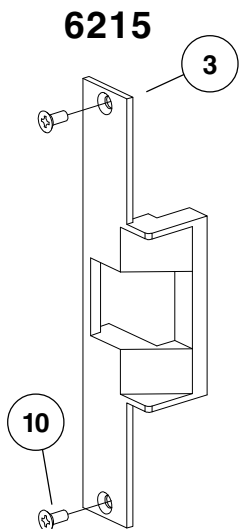
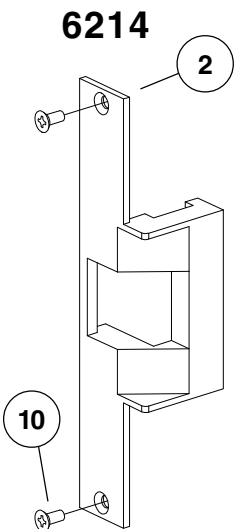
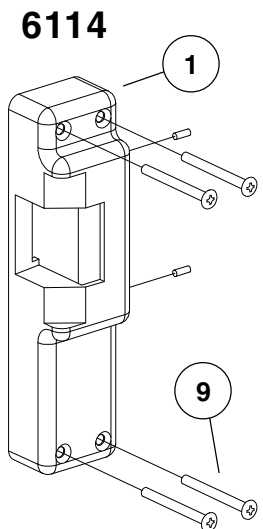
6213



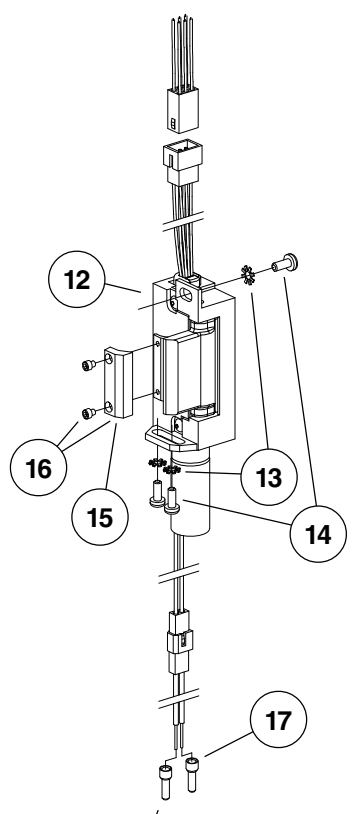
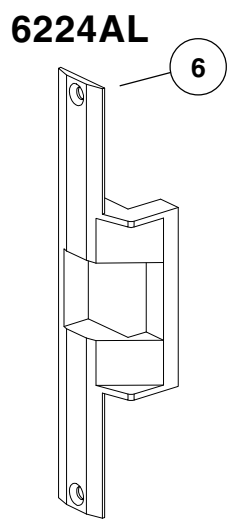
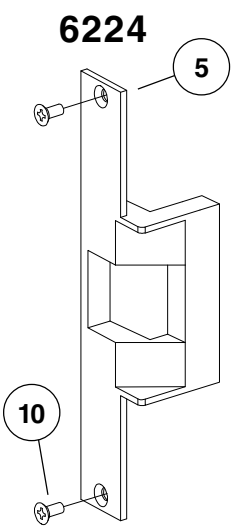
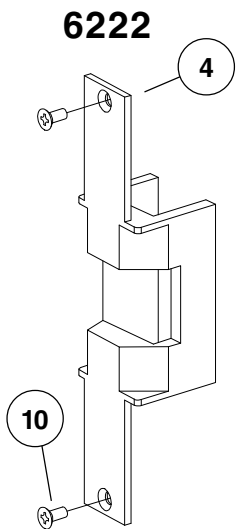
6114, 6214, 6215, 6222, 6224, 6224AL, 6225, 6226

Item No.	Part No.	Description	Quantity	Finish
1	970300	6114 Faceplate	1	X
2	971417	6214 Faceplate	1	X
3	971415	6215 Faceplate	1	X
4	970305	6222 Faceplate	1	X
5	970302	6224 Faceplate	1	X
6	970310	6224AL Faceplate	1	X
7	970306	6225 Faceplate	1	X
8	970301	6226 Faceplate	1	X
9	900882	6114 Screw Pkg.		X
		10-12 x 10-24 x 2" OPHCS	4	
		Connector-E98/99/6000 ES	2	
10	900288	6210/11/13/14/16/22/24/25/26 Screw Pkg.		X
		12-24 x 1/2" UFPHMS	2	
		Connector-E98/99/6000 ES	2	
11	111719	6114, 6214/5, 6222/4/4AL/5/6 12VDC FS Box Assy.	1	
11	111720	6114, 6214/5, 6222/4/4AL/5/6 12VDC FSE Box Assy.	1	
11	111721	6114, 6214/5, 6222/4/4AL/5/6 24VDC FS Box Assy.	1	
11	111722	6114, 6214/5, 6222/4/4AL/5/6 24VDC FSE Box Assy.	1	
12	111723	6114, 6214/5, 6222/4/4AL/5/6 12VDC FS DS Box Assy.	1	
12	111724	6114, 6214/5, 6222/4/4AL/5/6 12VDC FSE DS Box Assy.	1	
12	111725	6114, 6214/5, 6222/4/4AL/5/6 24VDC FS DS Box Assy.	1	
12	111726	6114, 6214/5, 6222/4/4AL/5/6 24VDC FSE DS Box Assy.	1	
12	112760	6114/6214/15/24/24AL/26 12VDC FS DS-LC Box Assy.	1	
12	112761	6114/6214/15/24/24AL/26 12VDC FSE DS-LC Box Assy.	1	
12	112762	6114/6214/15/24/24AL/26 24VDC FS DS-LC Box Assy.	1	
12	112763	6114/6214/15/24/24AL/26 24VDC FSE DS-LC Box Assy.	1	
13	964019	#8 Ext. Tooth Lock Washer	1	
14	964070	8-32 x 3/8" PPHMS	1	
15	970384	DS Tripper Extension	1	
16	900344	DS Tripper Extension & Connector		
		Tripper Extension	1	
		4-40 x 1/8" Socket Head Cap Screw	2	
		Connector-E98/99/6000 ES	6	
17	990132	Connector-E98/99/6000 ES	1	

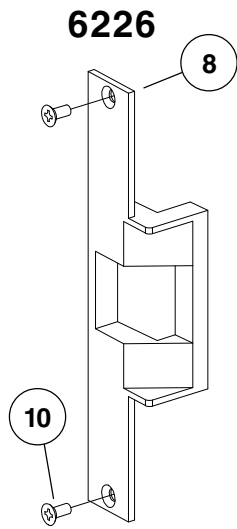
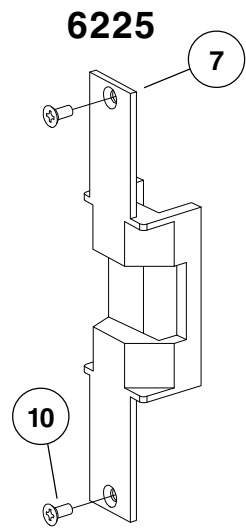
X in "Finish" column designates finished item; specify finish when ordering.



Connector
E98/99/6000 ES
also in Item No. 9,
Item No. 10, and
Item No. 16



Connector
E98/99/6000 ES
also in Item No. 9,
Item No. 10, and
Item No. 16

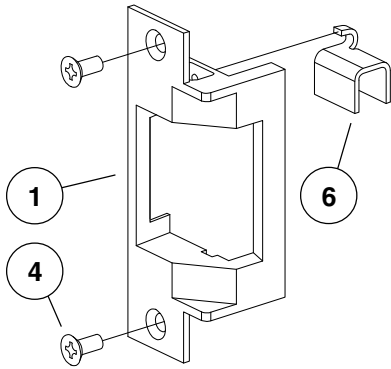


6211, 6211AL, 6212

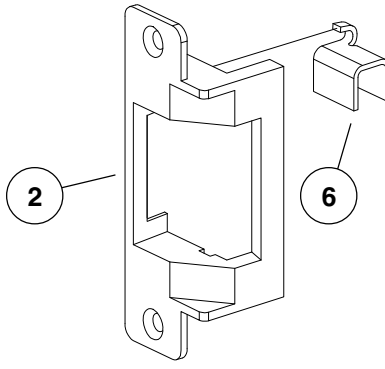
Item No.	Part No.	Description	Quantity	Finish
1	968716	6211/6211WF Faceplate	1	X
2	970272	6211AL Faceplate	1	X
3	969584	6212/6212WF Faceplate	1	X
4	900288	6210/11/13/14/16/22/24/25/26 Screw Pkg.		X
		12-24 x 1/2" UFPHMS	2	
		Connector-E98/99/6000 ES	2	
5	900290	6212 Screw Package		X
		12-24 x 1/2 UFPHMS	4	
		Connector-E98/99/6000 ES	2	
6	900291	6211/6212WF Strike Pocket Insert		
7	900292	6212 Strike Pocket Insert/Mounting Tab		
8	111711	6211, 6211AL, 6212 12VDC FS Box Assy.	1	
8	111712	6211, 6211AL, 6212 12VDC FSE Box Assy.	1	
8	111713	6211, 6211AL, 6212 24VDC FS Box Assy.	1	
8	111714	6211, 6211AL, 6212 24VDC FSE Box Assy.	1	
9	111715	6211, 6211AL, 6212 12VDC FS DS Box Assy.	1	
9	111716	6211, 6211AL, 6212 12VDC FSE DS Box Assy.	1	
9	111717	6211, 6211AL, 6212 24VDC FS DS Box Assy.	1	
9	111718	6211, 6211AL, 6212 24VDC FSE DS Box Assy.	1	
9	112756	6211/6211AL/6212 12VDC FS DS-LC Box Assy.	1	
9	112757	6211/6211AL/6212 12VDC FSE DS-LC Box Assy.	1	
9	112758	6211/6211AL/6212 24VDC FS DS-LC Box Assy.	1	
9	112759	6211/6211AL/6212 24VDC FSE DS-LC Box Assy.	1	
10	964019	#8 Ext. Tooth Lock Washer	1	
11	964070	8-32 x 3/8" PPHMS	1	
12	970384	DS Tripper Extension	1	
13	900344	DS Tripper Extension & Connector		
		Tripper Extension	1	
		4-40 x 1/8" Socket Head Cap Screw	2	
		Connector-E98/99/6000 ES	6	
14	990132	Connector-E98/99/6000 ES	1	

X in "Finish" column designates finished item; specify finish when ordering.

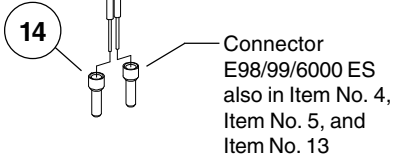
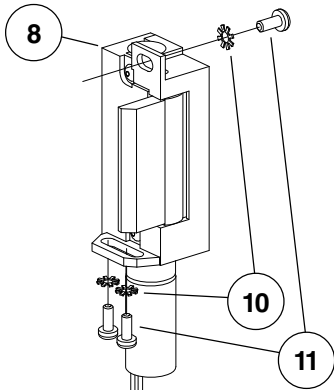
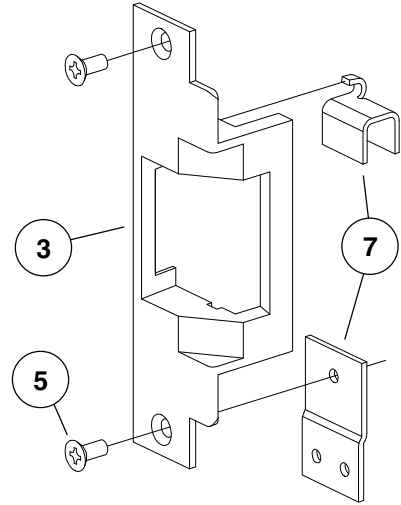
6211



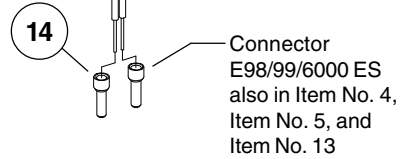
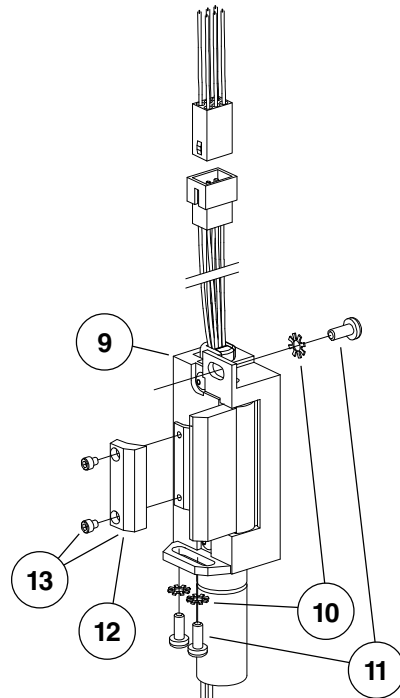
6211AL



6212



Connector
E98/99/6000 ES
also in Item No. 4,
Item No. 5, and
Item No. 13



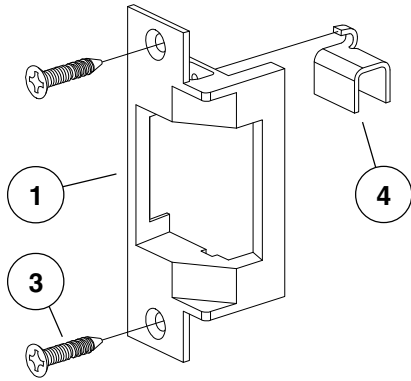
Connector
E98/99/6000 ES
also in Item No. 4,
Item No. 5, and
Item No. 13

6211WF, 6212WF

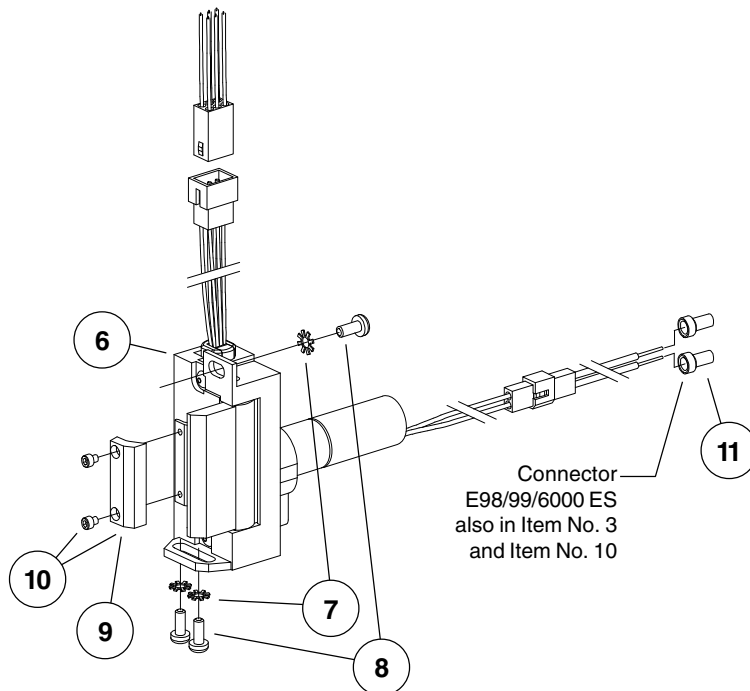
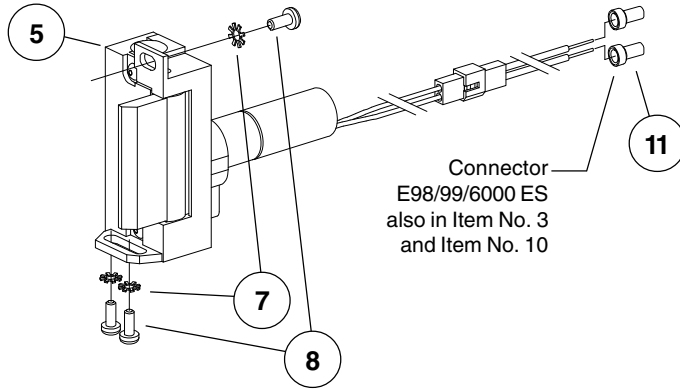
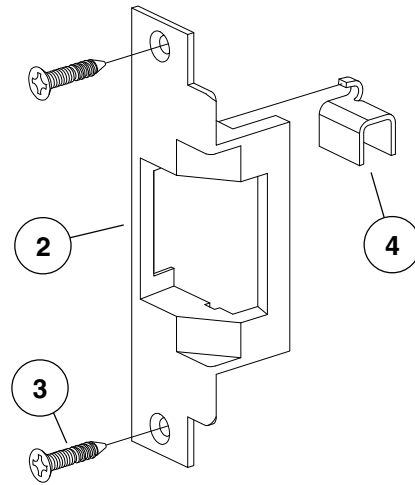
Item No.	Part No.	Description	Quantity	Finish
1	968716	6211/6211WFFaceplate	1	X
2	970271	6212/6212WF Faceplate	1	X
3	900885	6211WF/6212WF/6221/6223 Screw Pkg.		X
		12-12 x 12-24 x 1" UFPHCS	2	
		Connector-E98/99/6000 ES	2	
4	900291	6211/6212WF Strike Pocket Insert		
5	111727	6211WF, 6212WF 12VDC FS Box Assy.	1	
5	111728	6211WF, 6212WF 12VDC FSE Box Assy.	1	
5	111729	6211WF, 6212WF 24VDC FS Box Assy.	1	
5	111730	6211WF, 6212WF 24VDC FSE Box Assy.	1	
6	111731	6211WF, 6212WF 12VDC FS DS Box Assy.	1	
6	111732	6211WF, 6212WF 12VDC FSE DS Box Assy.	1	
6	111733	6211WF, 6212WF 24VDC FS DS Box Assy.	1	
6	111734	6211WF, 6212WF 24VDC FSE DS Box Assy.	1	
6	112764	6211WF/6212WF 12VDC FS DS-LC Box Assy.	1	
6	112765	6211WF/6212WF 12VDC FSE DS-LC Box Assy.	1	
6	112766	6211WF/6212WF 24VDC FS DS-LC Box Assy.	1	
6	112767	6211WF/6212WF 24VDC FSE DS-LC Box Assy.	1	
7	964019	#8 Ext. Tooth Lock Washer	1	
8	964070	8-32 x 3/8" PPHMS	1	
9	970384	DS Tripper Extension	1	
10	900344	DS Tripper Extension & Connector		
		Tripper Extension	1	
		4-40 x 1/8" Socket Head Cap Screw	2	
		Connector-E98/99/6000 ES	6	
11	990132	Connector-E98/99/6000 ES	1	

X in "Finish" column designates finished item; specify finish when ordering.

6211WF



6212WF

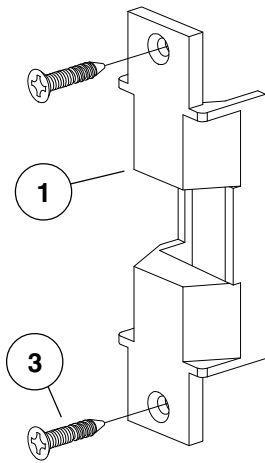


6221, 6223

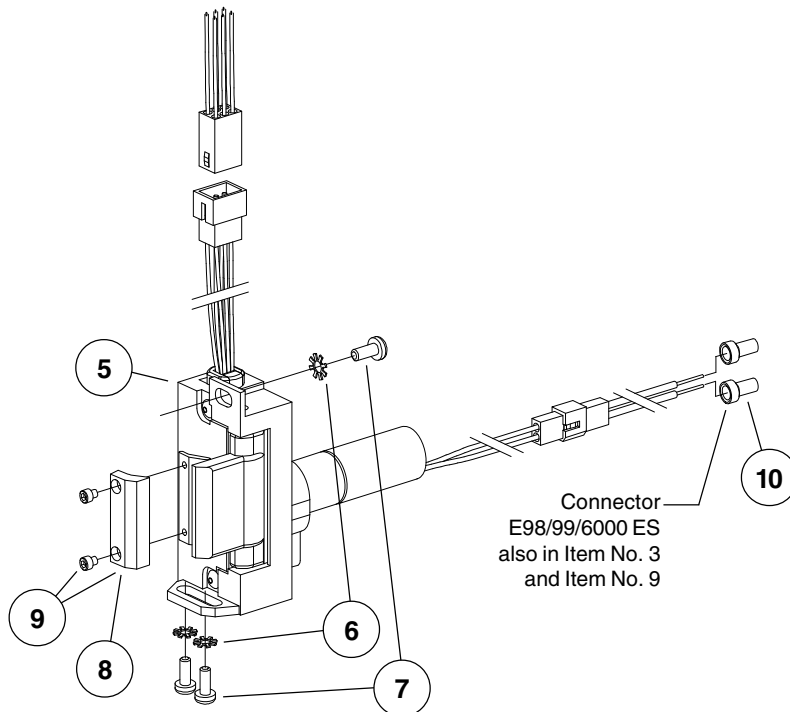
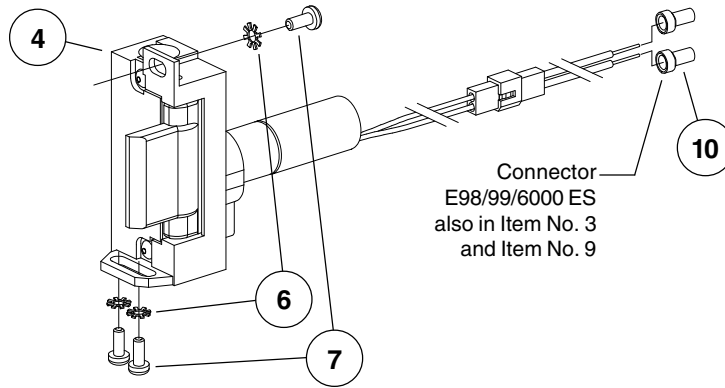
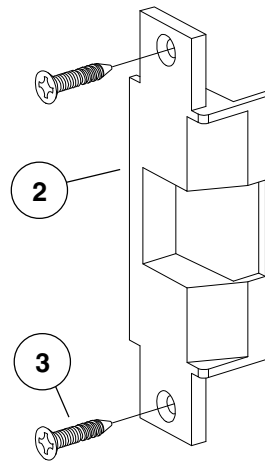
Item No.	Part No.	Description	Quantity	Finish
1	970276	6221 Faceplate	1	X
2	970274	6223 Faceplate	1	X
3	900885	6211WF/6212WF/6221/6223 Screw Pkg.		X
		12-12 x 12-24 x 1" UFPHCS	2	
		Connector-E98/99/6000 ES	2	
4	111735	6221, 6223 12VDC FS Box Assy.	1	
4	111736	6221, 6223 12VDC FSE Box Assy.	1	
4	111737	6221, 6223 24VDC FS Box Assy.	1	
4	111738	6221, 6223 24VDC FSE Box Assy.	1	
4	111739	6223 12VDC FS DS Box Assy.	1	
4	111740	6223 12VDC FSE DS Box Assy.	1	
4	111741	6223 24VDC FS DS Box Assy.	1	
4	111742	6223 24VDC FSE DS Box Assy.	1	
5	112768	6223 12VDC FS DS-LC Box Assy.	1	
5	112769	6223 12VDC FSE DS-LC Box Assy.	1	
5	112770	6223 24VDC FS DS-LC Box Assy.	1	
5	112771	6223 24VDC FSE DS-LC Box Assy.	1	
6	964019	#8 Ext. Tooth Lock Washer	1	
7	964070	8-32 x 3/8" PPHMS	1	
8	970384	DS Tripper Extension	1	
9	900344	DS Tripper Extension & Connector		
		Tripper Extension	1	
		4-40 x 1/8" Socket Head Cap Screw	2	
		Connector-E98/99/6000 ES	6	
10	990132	Connector-E98/99/6000 ES	1	

X in "Finish" column designates finished item; specify finish when ordering.

6221



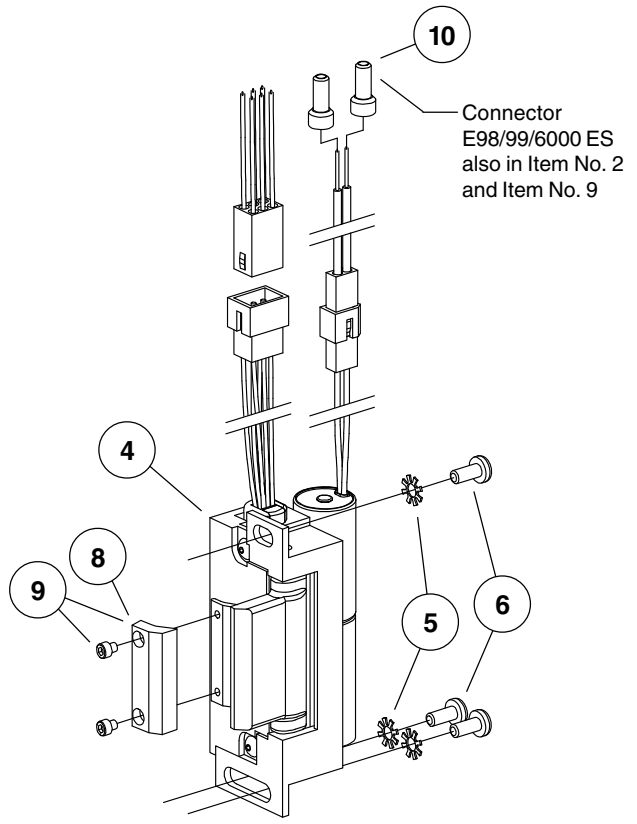
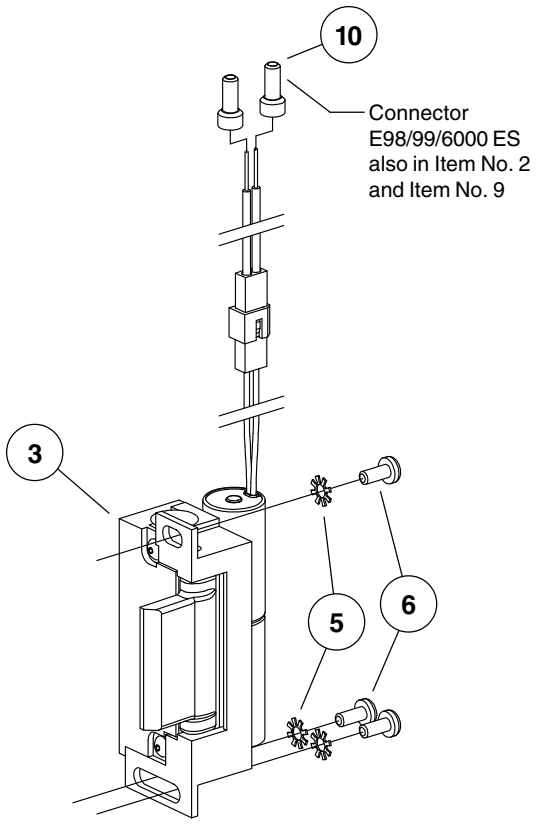
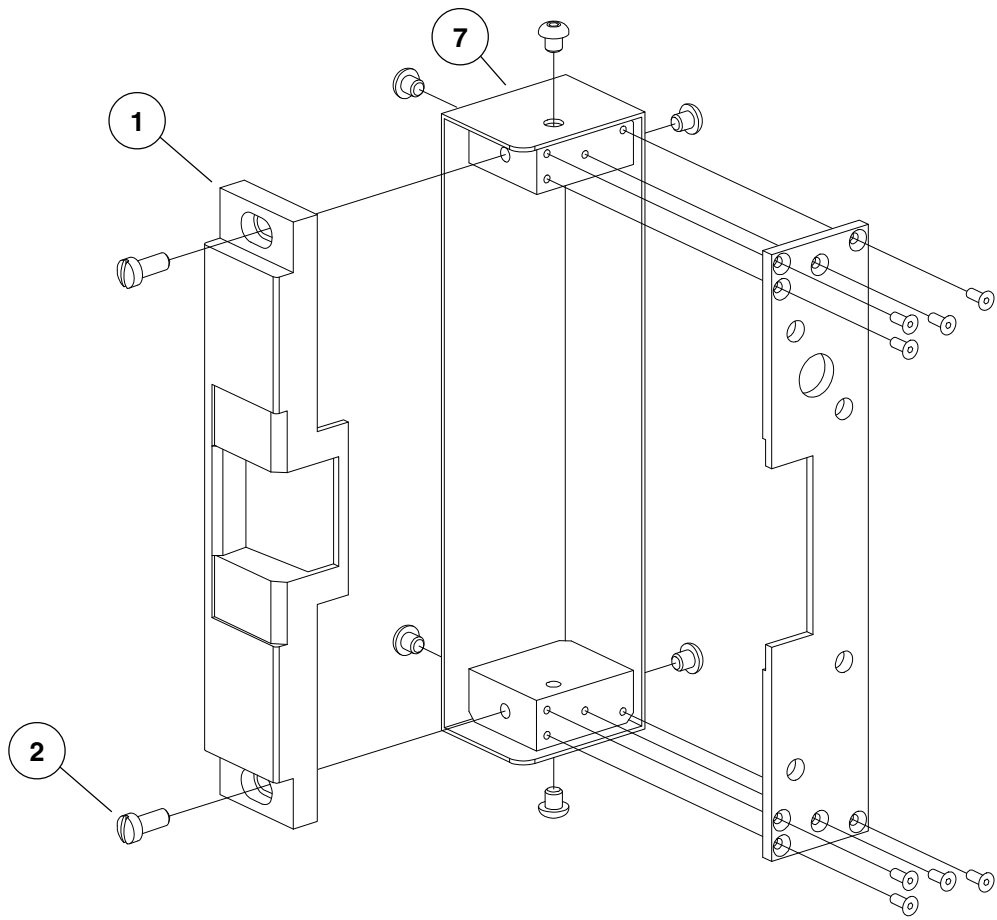
6223



6112, 6121

Item No.	Part No.	Description	Quantity	Finish
1	970303	6112/6121 Faceplate	1	X
2	900881	6112/6121 Screw Pkg.		X
		1/4-20 x 5/8" Slot Fill HMS	2	
		Connector-E98/99/6000 ES	2	
3	111751	6112, 6121 12VDC FS Box Assy.	1	
3	111752	6112, 6121 12VDC FSE Box Assy.	1	
3	111753	6112, 6121 24VDC FS Box Assy.	1	
3	111754	6112, 6121 24VDC FSE Box Assy.	1	
4	111755	6112, 6121 12VDC FS DS Box Assy.	1	
4	111756	6112, 6121 12VDC FSE DS Box Assy.	1	
4	111757	6112, 6121 24VDC FS DS Box Assy.	1	
4	111758	6112, 6121 24VDC FSE DS Box Assy.	1	
4	112776	6112/6121 12VDC FS DS-LC Box Assy.	1	
4	112777	6112/6121 12VDC FSE DS-LC Box Assy.	1	
4	112778	6112/6121 24VDC FS DS-LC Box Assy.	1	
4	112779	6112/6121 24VDC FSE DS-LC Box Assy.	1	
5	964019	#8 Ext. Tooth Lock Washer	1	
6	964070	8-32 x 3/8" PPHMS	1	
7	970412	6121 Housing Cover	1	X
8	970384	DS Tripper Extension	1	
9	900344	DS Tripper Extension & Connector		
		Tripper Extension	1	
		4-40 x 1/8" Socket Head Cap Screw	2	
		Connector-E98/99/6000 ES	6	
10	990132	Connector-E98/99/6000 ES	1	

X in "Finish" column designates finished item; specify finish when ordering.

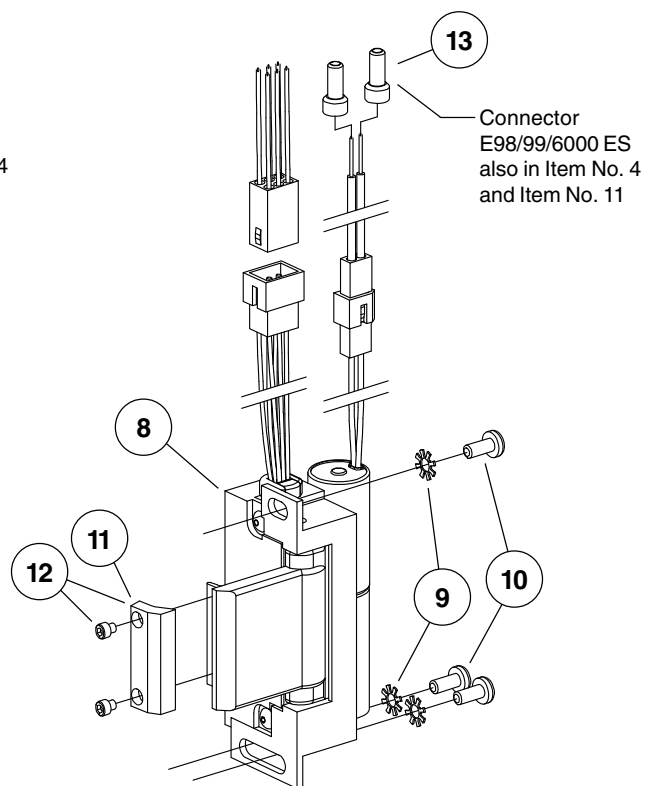
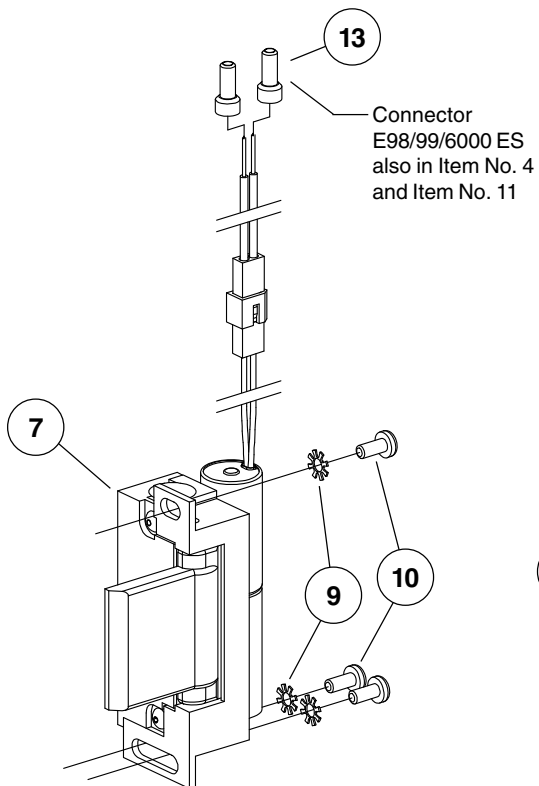
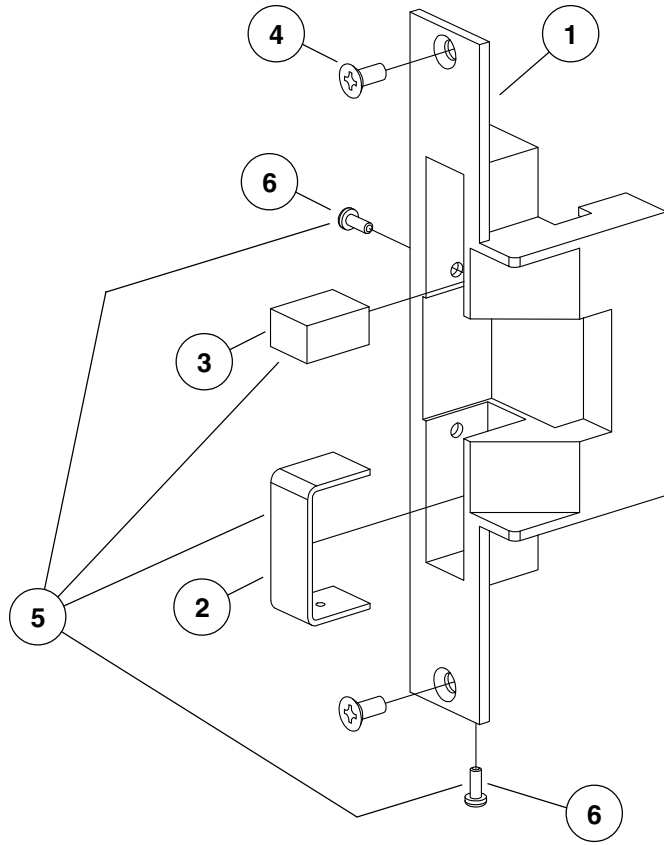


6216

Item No.	Part No.	Description	Quantity	Finish
1	971385	6216 Faceplate Less Inserts	1	X
2	970407	6216 Large Faceplate Insert	1	X
3	970415	6216 Small Faceplate Insert	1	X
4	900288	6210/11/13/14/16/22/24/25/26 Screw Pkg.		X
		12-24 x 1/2" UFPHMS	2	
		Connector-E98/99/6000 ES	2	
5	900345	6216 Inserts and Screw Pkg.		X
		6-32 x 3/8" PPHMS	2	
		6216 Large Faceplate Insert	1	
		6216 Small Faceplate Insert	1	
6	964190	6-32 x 3/8" PPHMS	1	
7	111759	6216 12VDC FS Box Assy.	1	
7	111760	6216 12VDC FSE Box Assy.	1	
7	111761	6216 24VDC FS Box Assy.	1	
7	111762	6216 24VDC FSE Box Assy.	1	
8	111763	6216 12VDC FS DS Box Assy.	1	
8	111764	6216 12VDC FSE DS Box Assy.	1	
8	111765	6216 24VDC FS DS Box Assy.	1	
8	111766	6216 24VDC FSE DS Box Assy.	1	
8	112780	6216 12VDC FS DS-LC Box Assy.	1	
8	112781	6216 12VDC FSE DS-LC Box Assy.	1	
8	112782	6216 24VDC FS DS-LC Box Assy.	1	
8	112783	6216 24VDC FSE DS-LC Box Assy.	1	
9	964019	#8 Ext. Tooth Lock Washer	1	
10	964070	8-32 x 3/8" PPHMS	1	
11	970384	DS Tripper Extension	1	
12	900344	DS Tripper Extension & Connector		
		Tripper Extension	1	
		4-40 x 1/8" Socket Head Cap Screw	2	
		Connector-E98/99/6000 ES	6	
13	990132	Connector-E98/99/6000 ES	1	

X in "Finish" column designates finished item; specify finish when ordering.

964070 8-32 x 3/8" PPHMS



6210

Item No.	Part No.	Description	Quantity	Finish
1	971198	6210 Faceplate	1	X
2	900288	6210/11/13/14/16/22/24/25/26 Screw Pkg.		X
		12-24 x 1/2" UFPHMS	2	
		Connector-E98/99/6000 ES	2	
3	900584	6210 Auxiliary Bolt Plate Pkg.		
		Aux. Bolt Plate - Schlage	1	
		Aux. Bolt Plate - Std.	1	
		Aux. Bolt Plate - Short	1	
4	900966	6210 Strike Pocket Insert Mounting Pkg.		
		6-32 x 1/4" FPHMS	2	
5	111244	6210 12VDC FS Box Assy.	1	
5	111246	6210 12VDC FSE Box Assy.	1	
5	111247	6210 24VDC FS Box Assy.	1	
5	111250	6210 24VDC FSE Box Assy.	1	
6	111251	6210 12VDC FS DS Box Assy.	1	
6	111264	6210 12VDC FSE DS Box Assy.	1	
6	111813	6216 24VDC FS DS Box Assy.	1	
6	111814	6216 24VDC FSE DS Box Assy.	1	
6	112754	6210 12VDC FS DS-LC Box Assy.	1	
6	112755	6210 12VDC FSE DS-LC Box Assy.	1	
6	112784	6210 24VDC FS DS-LC Box Assy.	1	
6	112785	6210 24VDC FSE DS-LC Box Assy.	1	
7	964019	#8 Ext. Tooth Lock Washer	1	
8	970384	DS Tripper Extension	1	
9	900344	DS Tripper Extension & Connector		
		Tripper Extension	1	
		4-40 x 1/8" Socket Head Cap Screw	2	
		Connector-E98/99/6000 ES	6	
10	990132	Connector-E98/99/6000 ES	1	

X in "Finish" column designates finished item; specify finish when ordering.

