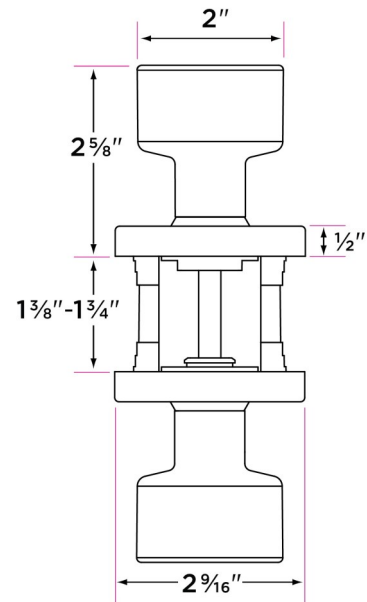


Bergen Knob - Square



DESCRIPTION	PRODUCT CODE	CASE
Passage (hall/closet) Both sides always free	BG101-SQ	12
Privacy (bed/bath) Locked by finger turn. Unlocked by finger turn or coin slot from the outside	BG102-SQ	12
Entry-Locked/unlocked by inside finger turn or outside key	BG107-SQ	12
Dummy (closet) Inactive, single-sided, flush mount with two wood screws	BG100-SQ	12
Handleset Interior Trim	BG100-H-SQ	12

Finishes

32D Stainless Steel
26 Polished Chrome
11P Vintage Bronze
FBL Flat Black

Door Handing

Non-handed

Door Thickness

1 3/8" to 1 3/4"

Key Cylinder

5 Pin KW1
5 Pin SC1 option

Strike Plate

2 1/4" x 1 3/4" full-lip radius corner standard

Latch

2 1/4" x 1" radius corner faceplate
4 in 1 latch with collar for drive-in function
Adjustable 2 3/8" or 2 3/4"
1/2" throw bolt

Door Prep

Crossbore 2 1/8"
Edgebore 1"

Materials

Formed Brass
All metal components