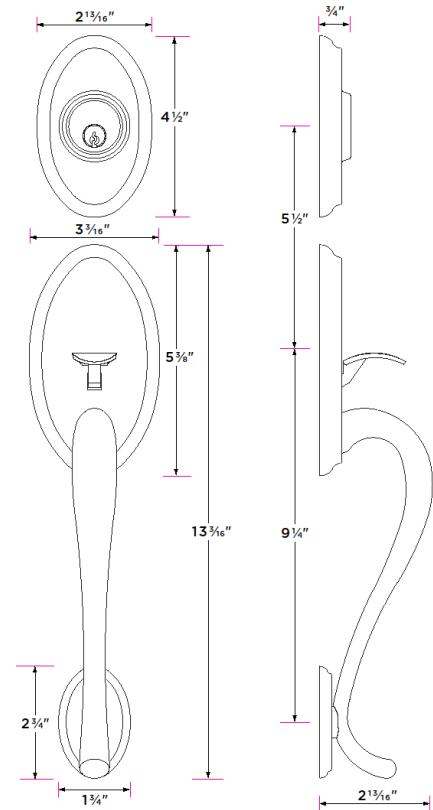


Aspen Handleset



DESCRIPTION

PRODUCT CODE

CASE

Aspen Handleset

AN507

6

Aspen Dummy Handleset

AN500

6

Finishes

15 Satin Nickel
11P Vintage Bronze

Door Handing

Non-handed

Door Thickness

1 3/8" to 1 3/4"

Key Cylinder

5 Pin KW1
5 Pin SC1 Option

Strike Plate

2 1/4" x 1 3/4" full-lip radius corner standard
2 1/4" x 1" deadbolt strike
and
2 1/4" x 1 3/4" full-lip radius corner deadbolt strike

Latch

2 1/4" x 1" radius corner faceplate
Adjustable 2 3/8" and 2 3/4"
1/2" throw bolt
1" deadbolt throw
Cut resistant bolt with hardened steel rolling inserts

Door Prep

Crossbore 2 1/8"
Edgebore 1"

Materials

Solid forged brass
All metal parts