

## Heat-a-Vent

**MODEL: 9905**

### DESCRIPTION

Two functions in one unit. Use them individually or together.

- 1500 watt heating element provides fan forced heat.
- Vent fan exhausts stale air and moisture.
- Streamline design with handsome white grille. Grille is tough polymeric, impervious to bathroom climate.
- Built in junction box with receptacles for simple plug-in installation of heater and fan motor.

### SPECIFICATIONS

Electrical Rating: 120V, 60Hz  
1620 total watts

**Certified air performance:** 70 CFM.

**Certified Sound Level:** 4.0 Sones.

Housing: Dimensions: 14" x 9<sup>3</sup>/<sub>4</sub>" x 7<sup>3</sup>/<sub>4</sub>"H.  
Material: Galvanized steel.

Heating Element: Nickel-Chromium coiled resistance wire.

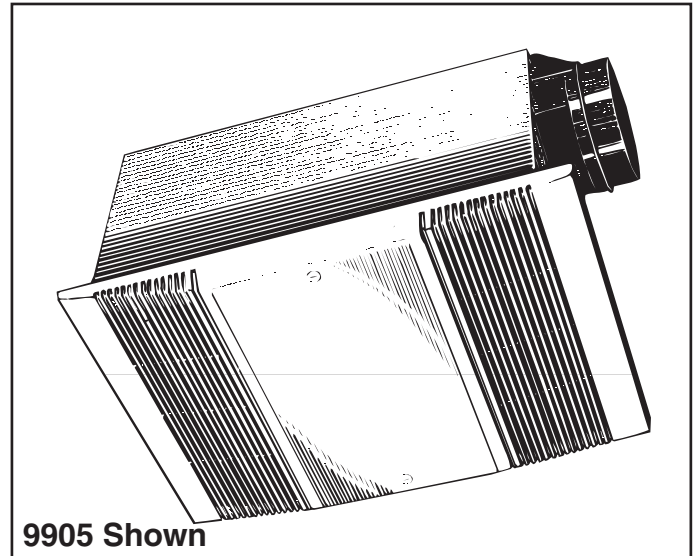
Thermal Protection: Automatic resetting thermal limit protector.

Motors: Plug-in, Thermally protected.

Switch: Separate On/Off wall switch for heat and vent functions.

**Exhaust Duct:** Snap on polymeric duct adapter and damper designed for 4" round design.

Installation instructions included with each unit.  
Not designed for installation over a tub or in a shower unit.



**9905 Shown**

### ARCHITECTS SPECIFICATIONS

Heat-A-Vent shall be model 9905 as manufactured by NuTone according to listed specifications.

### CERTIFIED TEST DATA

- Air delivery 70 CFM.
- Sound level: 4.0 sones.



Product specifications subject to change without notice.

NuTone, Inc., 4820 Red Bank Road, Cincinnati, Ohio 45227  
Printed in U.S.A.