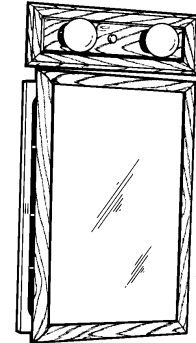


GRANT SERIES MOLDED BODY BATHROOM CABINETS



FEATURES

- Recessed installation
- Easy to clean one-piece injection molded polystyrene construction
- 3/32" thick premium float glass mirror trimmed in solid honey oak frame
- Butt hinges
- Two (2) fixed polystyrene shelves
- Reversible - for left or right-hand door opening
- Includes mounting hardware

TYPICAL SPECIFICATION

Bathroom cabinet shall be Broan Grant Series Model 8773, (973BC).

Recessed cabinet shall be of one-piece, injection-molded polystyrene with two (2) fixed shelves.

Mirror shall be framed in solid honey oak finish frame.

Cabinet shall have butt hinges.

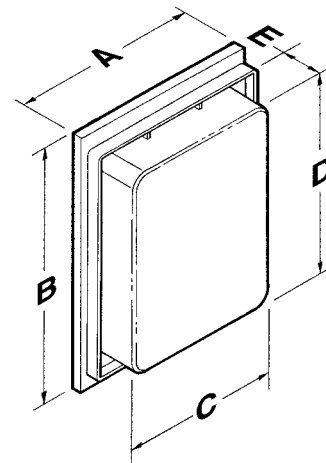
Cabinet shall be reversible for left-hand or right-hand installation.

MOLDED BODY CABINETS

MODEL NO.	OVERALL SIZE		WALL OPENING			# OF SHELVES
	A	B	C	D	E	
8773	16¼	22	14	18	2½	2 (fixed) poly
973BC	16	20	14	18	2½	2 (fixed) poly

LIGHT FIXTURE

MODEL NO.	FOR USE WITH CABINET MODEL	OVERALL SIZE			RECOMMENDED BULBS
		W	H	D	
74279	8773, 973BC	16¼	5 ⁵ / ₈	3	2-60W G25/G40



Broan-NuTone LLC, 926 West State Street, Hartford, WI 53027 (1-800-637-1453)

REFERENCE	QTY.	REMARKS	Project	
			Location	Date
			Architect	
			Engineer	
			Contractor	
			Submitted by	