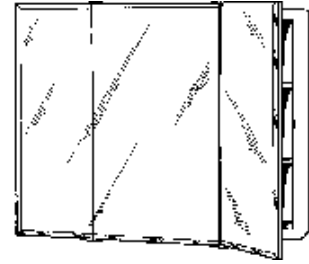


Ashland MEDICINE CABINET

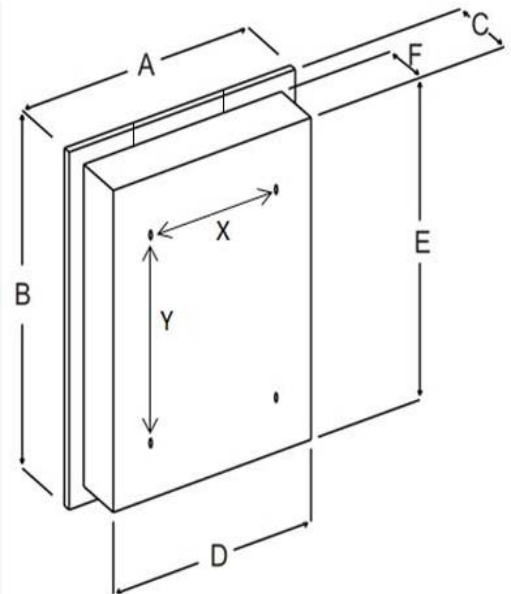


FEATURES/TYPICAL SPECIFICATIONS

- Surface-Mounted Installation
 - Two Integral Mounting Bars
 - Pre-Drilled Mounting Holes (4 typical)
- Housing/Body is Panel Style Construction (WD / FMLS)
 - Particle Board Construction with white PVC Laminate
 - MDF Back Panel with white PVC Laminate on interior cabinet surface
 - Wooden Dowel/Glue & Metal Fastener Construction
- Frameless mirror doors, outside doors (2 typical), center door (1 typical)
 - Particle Board Construction with white PVC Laminate door back and 1/2" bevel edge around perimeter of the three door front
 - Mirrors on the outside doors have 1/2" bevel edge on top, bottom, and outside edges. Center door has 1/2" bevel edge on top and bottom edges only. All non-bevel edges are polished.
 - Right-hand swing (2 typical) and left-hand swing (1 typical)
- Shelves, particle board with white PVC laminate (2 typical)
 - Fixed, non-removable (FX)
- Pivot hinges with satin nickel finish, one leaf (2 typical) and two leaf (2 typical) (HG13)
- Includes Mounting Hardware

Finishes:

- Housing: PT02—Classic White
- Mirror: Combination 1/2 BVL -1/2" Bevel Edge and POL1- Polished Edge
- Frame: Frameless



CARB 93120 Phase 2 Compliant for Formaldehyde

Model #	Description	Dimensions In Inches					
		A	B	C	D	E	F
755296	MEDCAB 3DR 48X28 FMLS WD	47 ³ / ₄	27 ⁷ / ₈	4 ³ / ₄	46-3/16	26 ¹ / ₄	4

REFERENCE	QTY.	REMARKS	Project
			Location
			Architect
			Engineer
			Contractor
			Submitted by
			Date

* All models and material specifications are subject to change or withdrawal without notice.