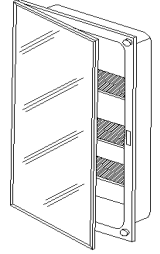


### 461P24CH RECESSED MOUNTED MEDICINE CABINET



#### FEATURES

- Recessed installation with recommended wall opening of 16" x 24" x 3-1/4"
- Easy to clean, one piece, steel construction.
- Body is 22 gauge steel with rust resistant white powder coat paint finish
- Door back is 26 gauge steel with white powder coat paint finish to match the cabinet
- 18" x 26" 1/8" thick glass mirror on door exterior with standard bright stainless steel trim frame with tab closure
- 16" piano hinge with 90° stop is welded to the door and attached to the cabinet body with screws to allow for door replacement
- One magnetic door catch in the cabinet body aligns to a stainless steel striker plate on the door back
- Three adjustable glass shelves
- Multiple shelf positions are available through a series of punched lances in each side of the cabinet body that will support the shelves
- Reversible for left-hand or right-hand door opening
- Includes mounting screws

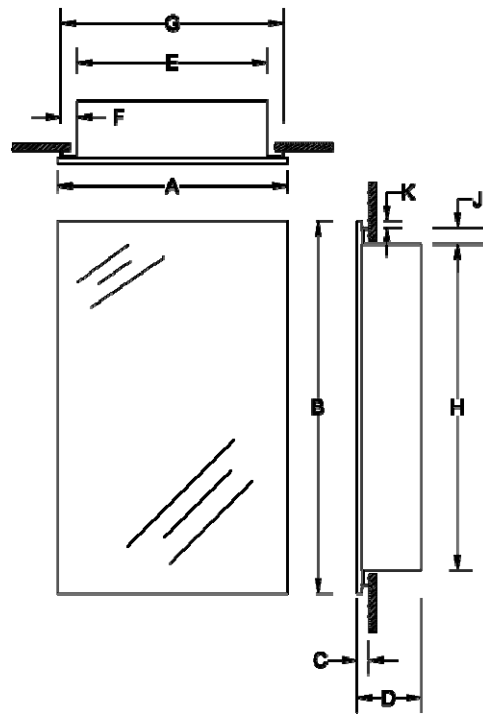
#### SPECIFICATIONS

##### Finishes:

Housing: PT01-Basic White

Mirror: Flat Mirror

Frame: SS8-Polish Stainless Steel Trim



Model Number	DIMENSIONS IN INCHES*									
	A	B	C	D	E	F	G	H	J	K
461P24CH	18-1/8	26-1/4	1-1/2	4-1/2	15-1/2	1	17-1/2	23-5/8	1	5/16

REFERENCE	QTY.	REMARKS	Project
			Location
			Architect
			Engineer
			Contractor
			Submitted by
			Date

\* All models and material specifications are subject to change or withdrawal without notice.