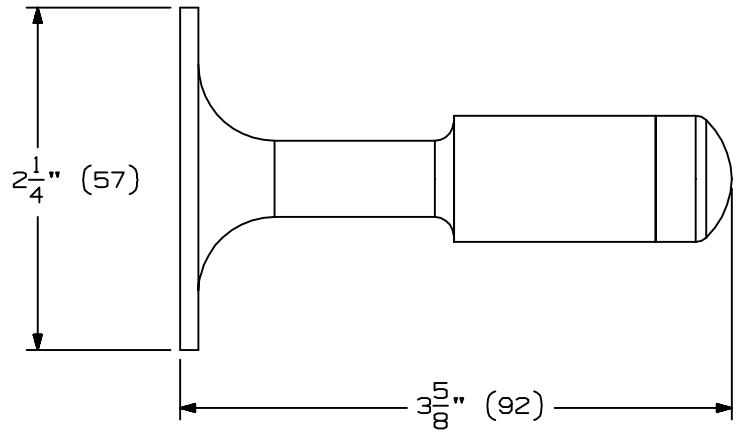
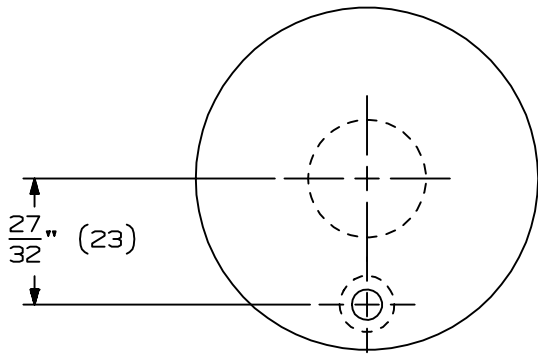
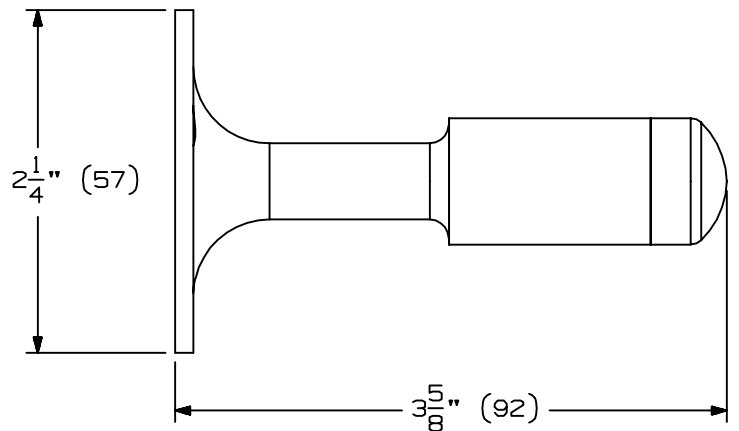
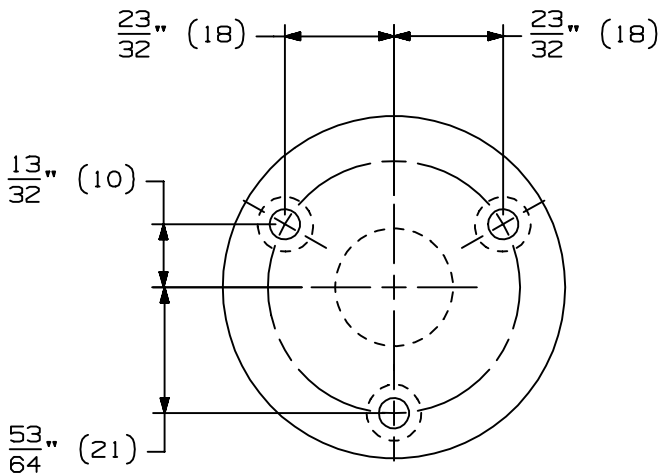


WS443



WS447



INSTRUCTIONS:

1. PLACE HOLDER ON WALL AND LOCATE MOUNTING HOLES.
2. PREPARE MOUNTING HOLES.
3. INSTALL HOLDER.

	QTY	SCREW DETAILS
WS443	1	3/8-12 THREADED STUD
	1	LEAD SHIELD
	1	#8 X 1" OPHWS
	1	LEAD SHIELD
WS447	3	#12 X 1-1/4" OPHSMS
	3	PLASTIC EXPANSION SHIELD



WS443 & WS447 WALL BUMPER
INSTALLATION INSTRUCTIONS



NOTE: DIMENSIONS IN () ARE MILLIMETERS.

TEMPLATE INST. WS443-447_0
NUMBER:

DATE:
09-01-01