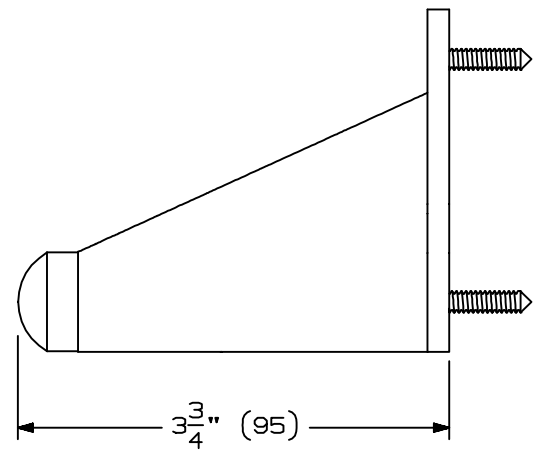
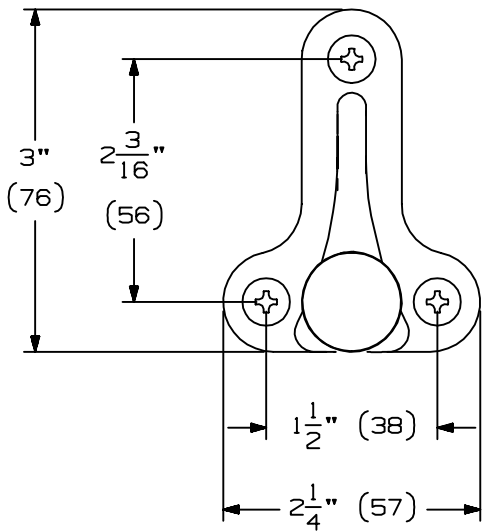
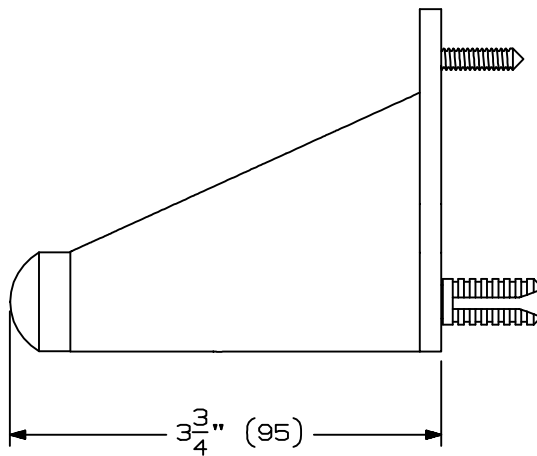
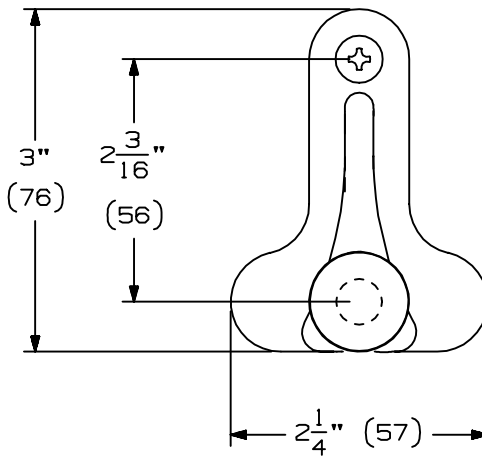


WS33



WS33X



INSTRUCTIONS:

1. PLACE HOLDER ON WALL AND LOCATE MOUNTING HOLES.
2. PREPARE MOUNTING HOLES.
3. INSTALL HOLDER.

	QTY	SCREW DETAILS
WS33	3	#10 X 1" FPHSMS
	3	PLASTIC EXPANSION SHIELD
WS33X	1	#10 X 1" FPHSMS
	1	PLASTIC EXPANSION SHIELD
	1	5/16" - 18 THREADED STUD
	1	LEAD EXPANSION SHIELD



WS33 & WS33X WALL BUMPER
INSTALLATION INSTRUCTIONS



NOTE: DIMENSIONS IN () ARE MILLIMETERS.

TEMPLATE NUMBER: INST. WS33_0

DATE: 09-01-01