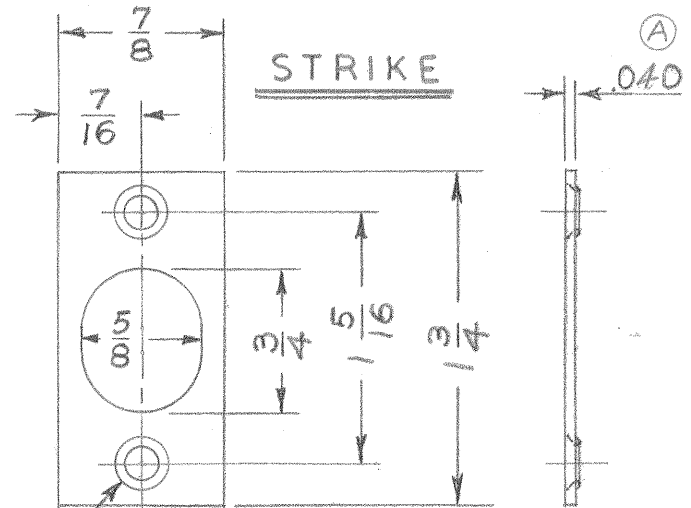
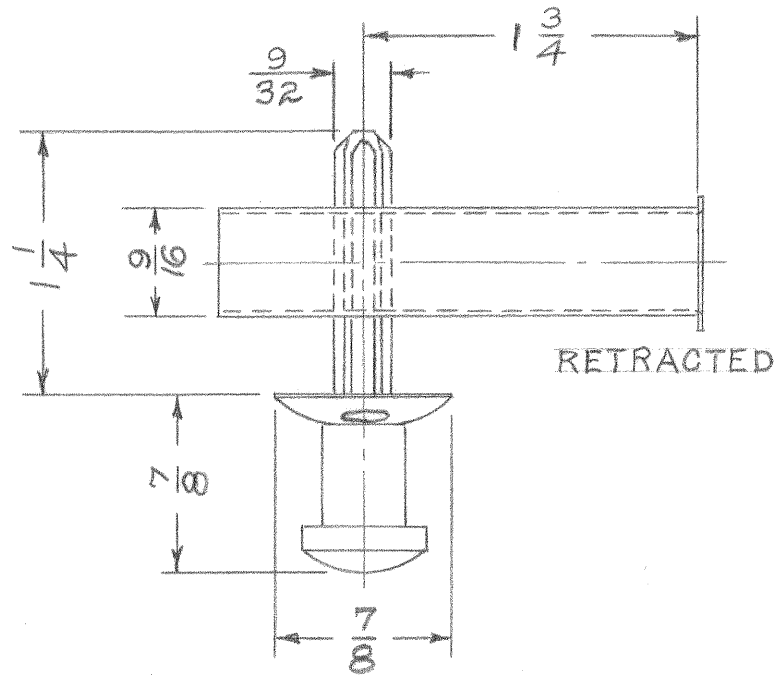


DO NOT SCALE

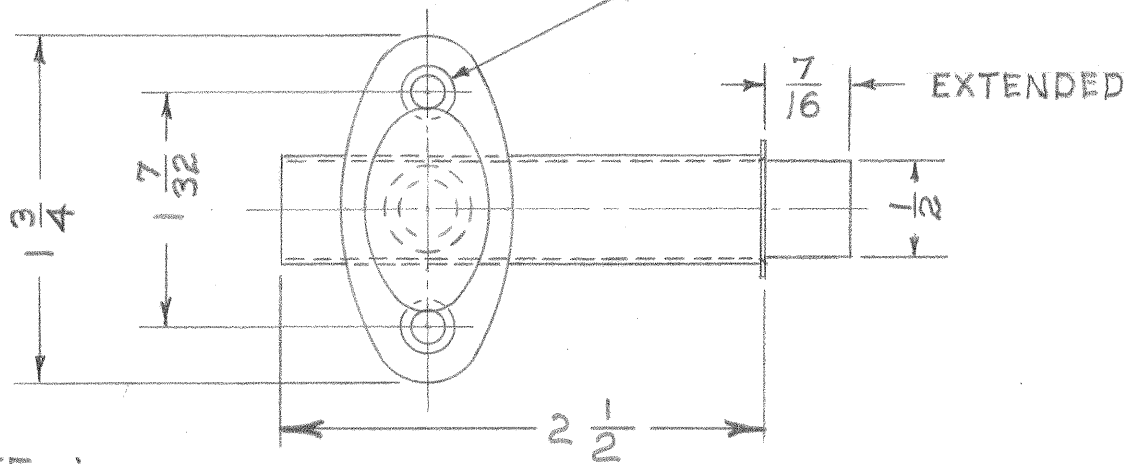
TEMPLATE DRAWING

DWG. NO. 223B



(2) 5/8 X 5 O.H. WOOD SCREWS

(2) 5/8 X 5 F.H. WOOD SCREWS



NOTE :

DRILL THROUGH ONE SIDE OF DOOR ONLY
 FOR BOLT ASSEMBLY USE 9/16" DRILL 2 5/8" DEEP
 FOR KNOB USE 5/16" DRILL 1 1/4" DEEP

48 MORTISE DOOR BOLT

LETTER	CHANGE	DATE
A	.040 WAS .050	R.S.L. 1-6-69
B	ADDED NOTE	PK 12-13-76
C		
F.C.B. 11-6-57 FULL SIZE		

IVES DIVISION
 LEIGH PRODUCTS, INC.
 P. O. BOX 1887, NEW HAVEN, CONN. 06508