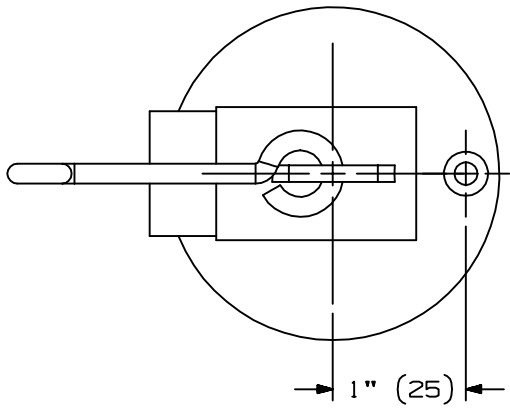
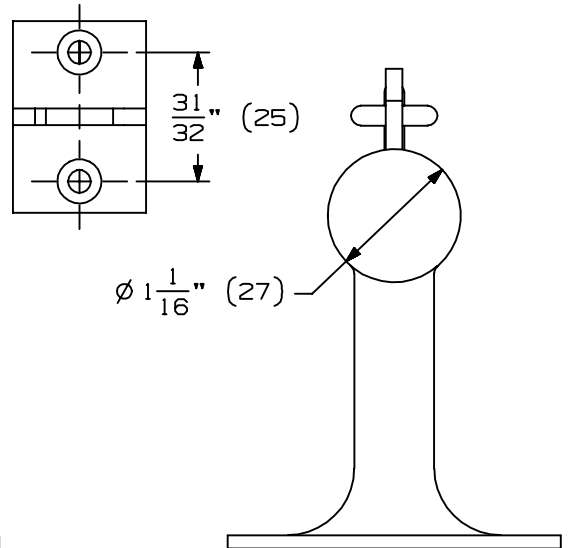
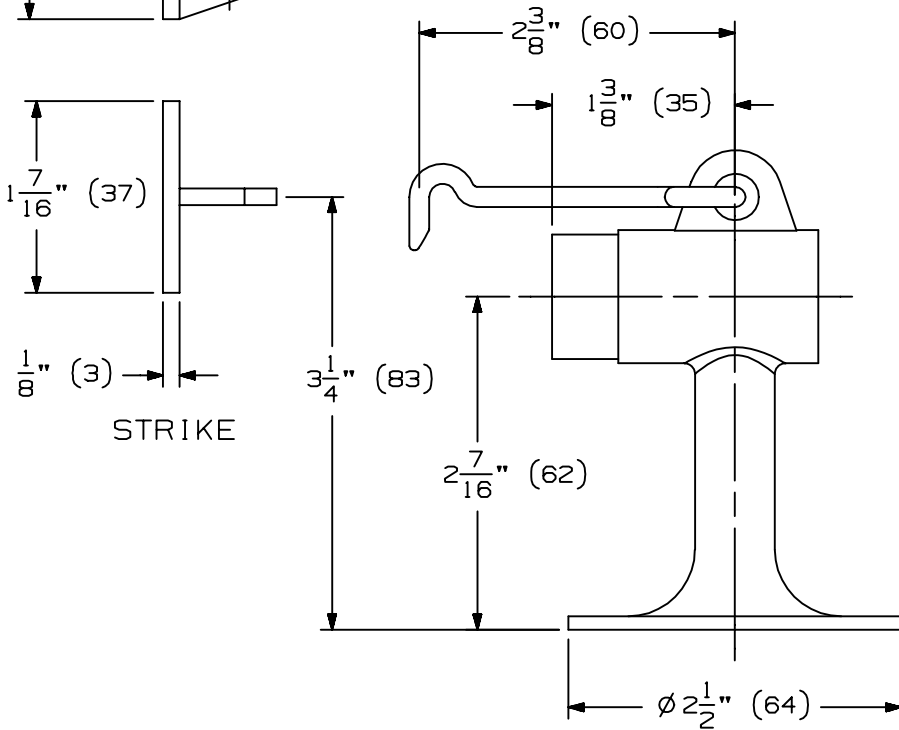
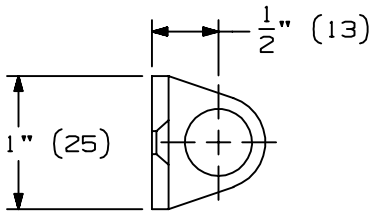
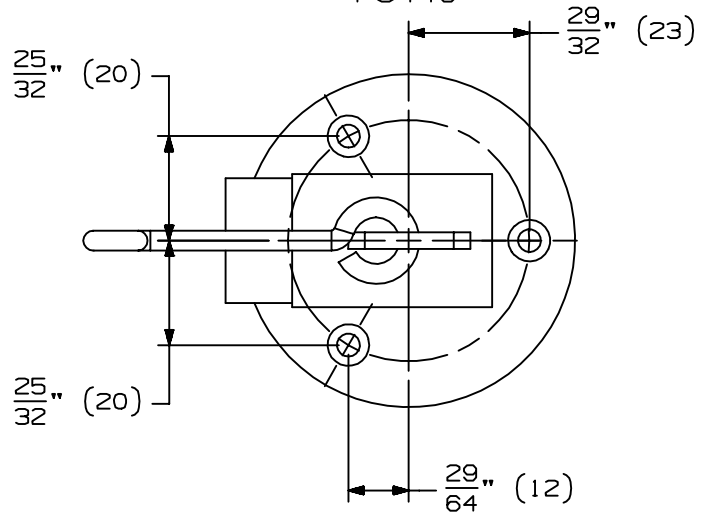


FS450



FS446



INSTRUCTIONS:

1. OPEN DOOR TO DESIRED POSITION.
2. PLACE STRIKE AND HOLDER AS ILLUSTRATED.
3. LOCATE MOUNTING HOLES.
4. PREPARE MOUNTING HOLES AS NECESSARY.
5. INSTALL BODY AND STRIKE.

NOTES:

1. METAL DOORS SHOULD BE PROPERLY REINFORCED WITH $\frac{3}{16}$ " (5) MINIMUM THICKNESS PLATE.

	QTY	SCREW DETAILS
FS446 BODY	1	$\frac{3}{8}$ -12 THREADED STUD
	1	LEAD EXPANSION SHIELD
	1	#8 X 1" OPHWS
	1	#8 PLASTIC ANCHOR
FS450 BODY	3	#12 X $1\frac{1}{4}$ " OPHWS
STRIKE	2	#8 X 1" OPHSMS



FS446 & FS450
MANUAL FLOOR HOLDER
INSTALLATION INSTRUCTIONS



NOTE: DIMENSIONS IN () ARE MILLIMETERS.

TEMPLATE NUMBER: INST.FS446-450_0

DATE: 09-01-01