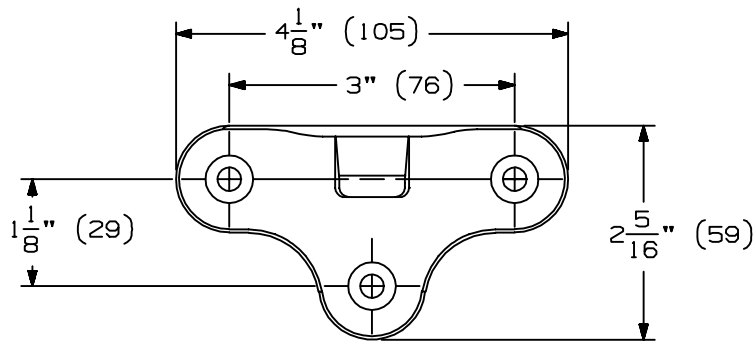


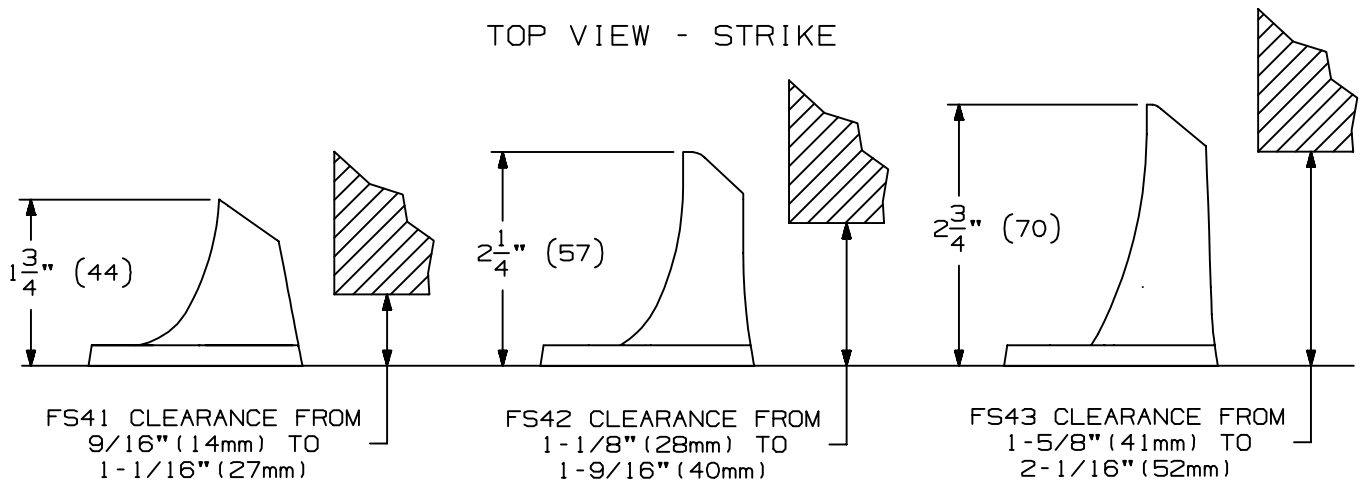
FRONT VIEW - BODY

SIDE VIEW - BODY

FS40 MAXIMUM DOOR CLEARANCE



TOP VIEW - STRIKE



**INSTRUCTIONS:**

1. OPEN DOOR TO DESIRED POSITION.
2. PLACE STRIKE ON FLOOR AND HOLDER BODY ON DOOR AS ILLUSTRATED. ROLLER MUST ENGAGE STRIKE SQUARELY.
3. LOCATE THE MOUNTING HOLES.
4. PREPARE MOUNTING HOLES AS NECESSARY.
5. INSTALL STRIKE AND HOLDER BODY.

**NOTES:**

1. METAL DOORS SHOULD BE PROPERLY REINFORCED WITH  $\frac{3}{16}$ " (5) MINIMUM THICKNESS PLATE.

|      | QTY | SCREW DETAILS            |
|------|-----|--------------------------|
| BODY | 4   | #14 X 1-1/4" TRPHSMS     |
| BODY | 3   | #14 X 1-1/4" FPHSMS      |
|      | 3   | PLASTIC EXPANSION SHIELD |



FS40, FS42, & FS43 AUTOMATIC DOOR HOLDER INSTALLATION TEMPLATE



NOTE: DIMENSIONS IN ( ) ARE MILLIMETERS.

TEMPLATE NUMBER: INST.FS40-43\_0

DATE: 09-01-01