

FB51 INSTALLATION INSTRUCTIONS:

FIELD ADJUSTMENT
VERTICAL ROD ADJUSTMENT:

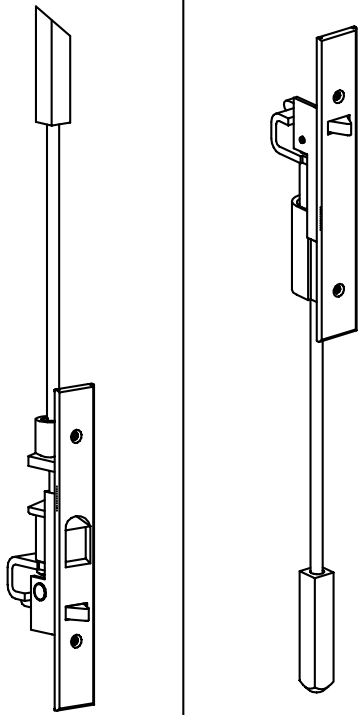
TOP FLUSH BOLT: REMOVE GUIDE, TURN BOLT CLOCKWISE OR COUNTERCLOCKWISE AS NECESSARY TO ADJUST, REPLACE GUIDE.

BOTTOM FLUSH BOLT: REMOVE DOOR FROM HINGES, REMOVE GUIDE, TURN BOLT CLOCKWISE OR COUNTERCLOCKWISE AS NECESSARY TO ADJUST, REPLACE GUIDE, REPLACE DOOR.

NOTE:

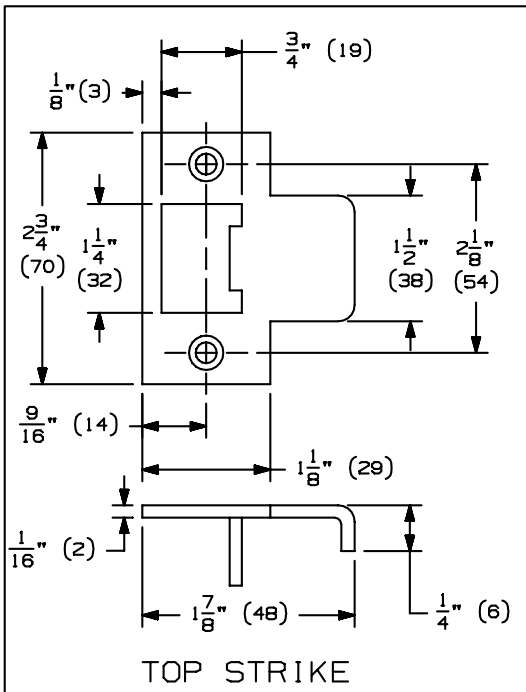
1. INSTALL COORDINATOR BEFORE CONSTANT LATCHING FLUSH BOLTS.
2. THE RECOMMENDED CLEARANCE BETWEEN DOORS IS $\frac{1}{8}$ " (3).
3. THE MAXIMUM UNDERCUT IS 1" (25).
4. FOR ADDITIONAL INFORMATION ON OPTIONAL DUST PROOF STRIKES, SEE DP1 AND DP2 TEMPLATES.

1. MORTISE INACTIVE DOOR FOR FB51T (TOP) AND OPTIONAL FB31B FLUSH BOLT(S).
2. FB51 FLUSH BOLT FITS ANSI 115.4 DOOR AND FRAME PREPARATION.
3. HANG INACTIVE DOOR. WITH DOOR OPEN, MEASURE MINIMUM DISTANCE (MINIMUM CLEARANCE) FROM DOOR TO FINISHED FLOOR.
4. REMOVE DOOR. INSTALL FB51T (TOP) FLUSH BOLT IN EDGE OF DOOR. THREAD ROD WITH BOLT INTO TUBE OF FLUSH BOLT AND ADJUST BOLT SO IT IS FLUSH WITH THE TOP OF DOOR WHEN RETRACTED AND BEVEL IS TOWARDS THE PUSH SIDE OF DOOR. FLUSH
5. INSTALL TOP GUIDE.
6. INSTALL FB31B (BOTTOM) FLUSH BOLT (IF USED) IN EDGE OF DOOR AND ADJUST BOLT TO PROJECT $\frac{1}{8}$ " LESS THAN MINIMUM CLEARANCE.
7. INSTALL BOTTOM GUIDE.
8. INSTALL FLOOR STRIKE.
9. INSTALL TOP STRIKE IN STANDARD ANSI FRAME PREPARATION.
10. INSTALL RUB PLATE(S) ON EDGE

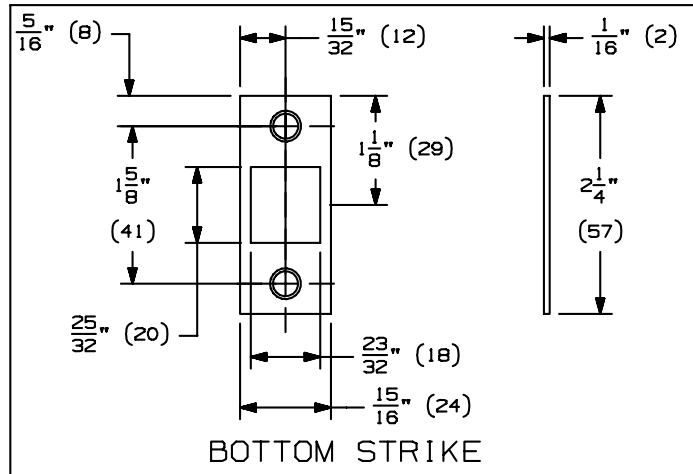


FB51T
TOP BOLT

FB31B
BOTTOM BOLT



TOP STRIKE



BOTTOM STRIKE

SCREW DETAILS PER FLUSH BOLT			
	QTY	MACHINE SCREWS	SHEET METAL SCREWS
HOUSINGS	4	8-32 X $\frac{3}{8}$ " UFPHMS	----
FACE PLATES	2	6-32 X $\frac{3}{8}$ " UFPHMS	----
BOTTOM STRIKE	2	8-32 X $\frac{3}{8}$ " UFPHMS	#8 X 1" FPHSMS W/PLASTIC EXP SHIELD
TOP STRIKE	2	8-32 X $\frac{3}{4}$ " UFPHMS	#8 X $\frac{3}{4}$ " FPHSMS W/PLASTIC EXP SHIELD
RUB PLATES	2	----	#6 X $\frac{3}{4}$ " FPHSMS
GUIDES	2	8-32 X $\frac{3}{8}$ " UFPHMS	----



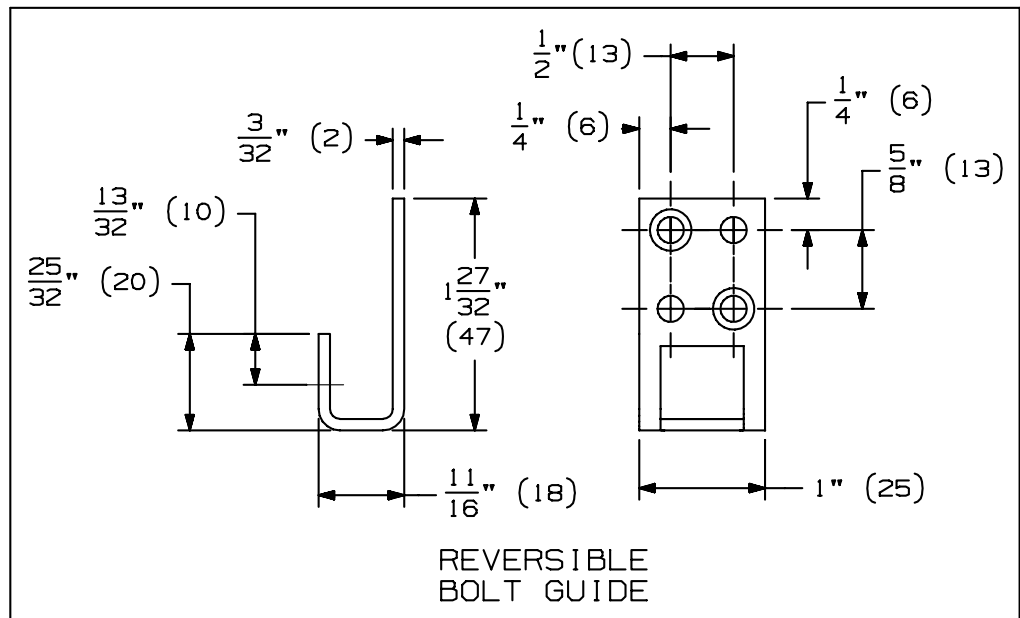
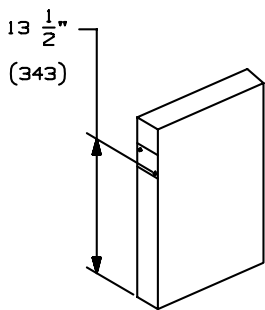
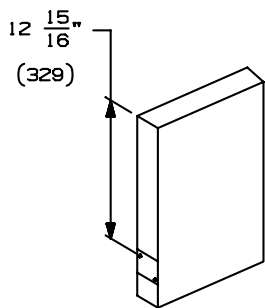
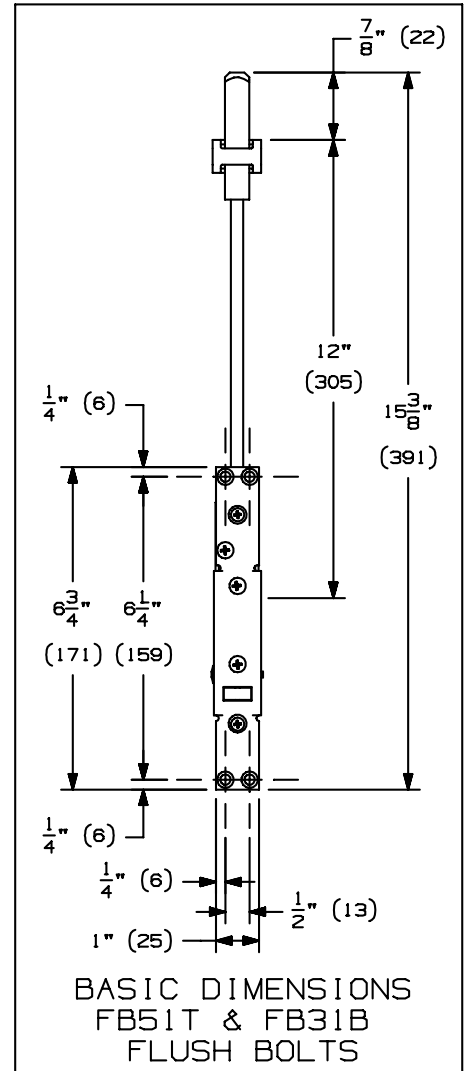
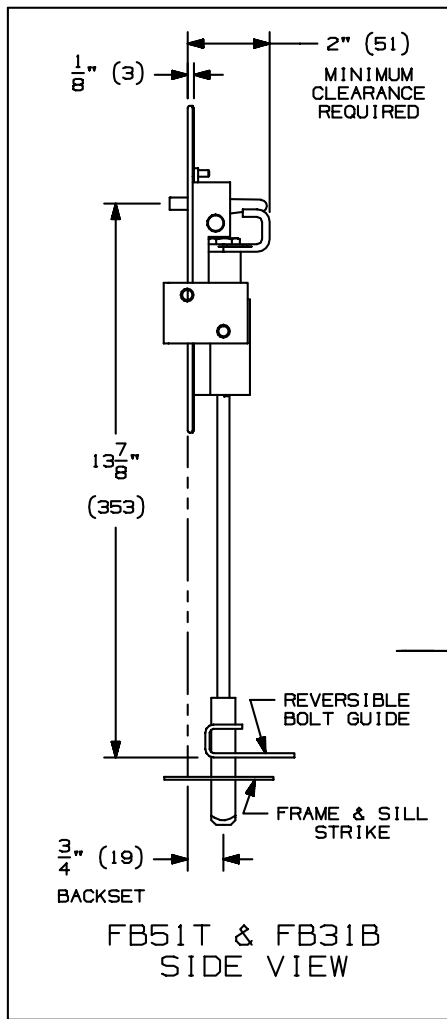
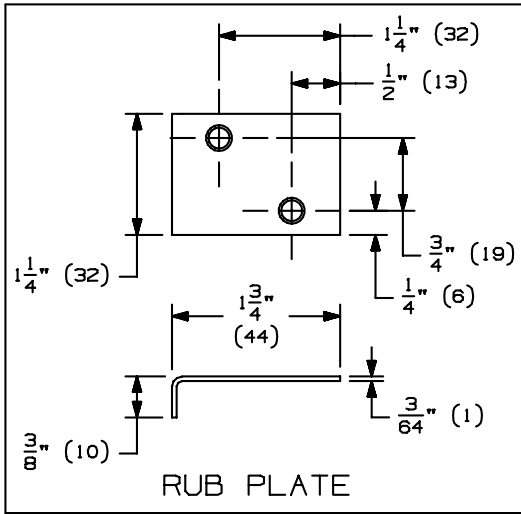
**FB51 CONSTANT LATCHING
FLUSH BOLT FOR METAL DOORS
INSTALLATION TEMPLATE**



NOTE: DIMENSIONS IN () ARE MILLIMETERS.

TEMPLATE INST.FB51_0.PG1
NUMBER:

DATE:
09-01-01



FB51 CONSTANT LATCHING
FLUSH BOLT FOR METAL DOORS
INSTALLATION TEMPLATE



NOTE: DIMENSIONS IN () ARE MILLIMETERS.

TEMPLATE NUMBER: INST.FB51_0.PG2

DATE: 09-01-01