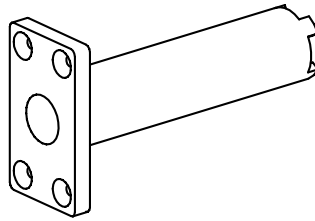


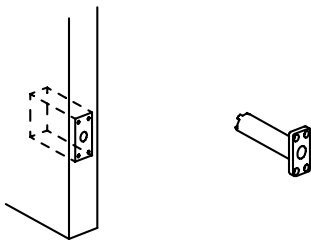
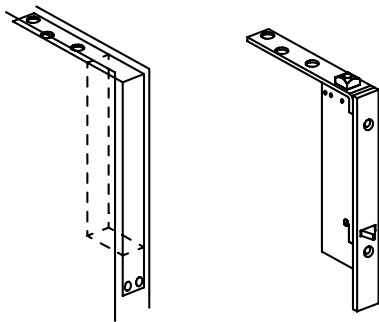
FB41T FLUSH BOLT
(TOP)



AUXILIARY FIRE LATCH
(BOTTOM)

**FB42 INSTALLATION
INSTRUCTIONS:**

1. MORTISE INACTIVE DOOR FOR FB41 TOP FLUSH BOLT.
2. FB41 TOP FLUSH BOLT FITS D.H.I.W-5 DOOR AND FRAME PREPARATION.
3. INSTALL TOP FLUSH BOLT IN EDGE OF DOOR. ADJUST TOP BOLT SO IT IS FLUSH WITH TOP OF DOOR WHEN RETRACTED.
4. INSTALL STRIKE.
5. INSTALL RUB PLATE ON EDGE OF ACTIVE DOOR ON CAM CENTERLINE.
6. INSTALL FACE PLATE
7. DRILL 4 HOLES WITH #36 DRILL AND 1 7/8" ON INACTIVE DOOR FOR AUXILIARY FIRE LATCH (AS SHOWN ON PAGE 3).
8. DRILL 1" HOLE IN ACTIVE DOOR FOR AUXILIARY FIRE LATCH (AS SHOWN ON PAGE 3).
9. INSTALL AUXILIARY FIRE LATCH WITH 4 SCREWS.
10. INSTALL AUXILIARY FIRE LATCH STRIKE HOLE PLUG.



**FIELD ADJUSTMENTS:
VERTICAL ROD ADJUSTMENT:**

TOP FLUSH BOLT:
REMOVE GUIDE, TURN BOLT
CLOCKWISE OR
COUNTERCLOCKWISE AS
NECESSARY TO ADJUST,
REPLACE GUIDE.

NOTE:

1. INSTALL COORDINATOR BEFORE AUTOMATIC FLUSH BOLTS.
2. THE RECOMMENDED CLEARANCE BETWEEN DOORS IS 1/8" (3MM).
3. CERTIFIED PERSONNEL SHOULD PERFORM FIELD PREP FOR AUXILIARY FIRE LATCH.

FB42 SCREW DETAIL

	QTY.	MACHINE SCREWS	SHEET METAL SCREWS
HOUSING	2	—————	#8 X 1" FPHSMS
FACEPLATE	2	6-32 X 3/8" UFPHMS	—————
STRIKE	2	8-32 X 3/8" UFPHMS	#8 X 1" FPHSMS W/PLASTIC EXP. SHIELD
RUB PLATE	2	—————	#6 X 3/4" FPHSMS
GUIDE	3	—————	#10 X 1" FPHSMS
AUXILIARY FIRE LATCH	4	—————	#6 X 3/4" FPHSMS

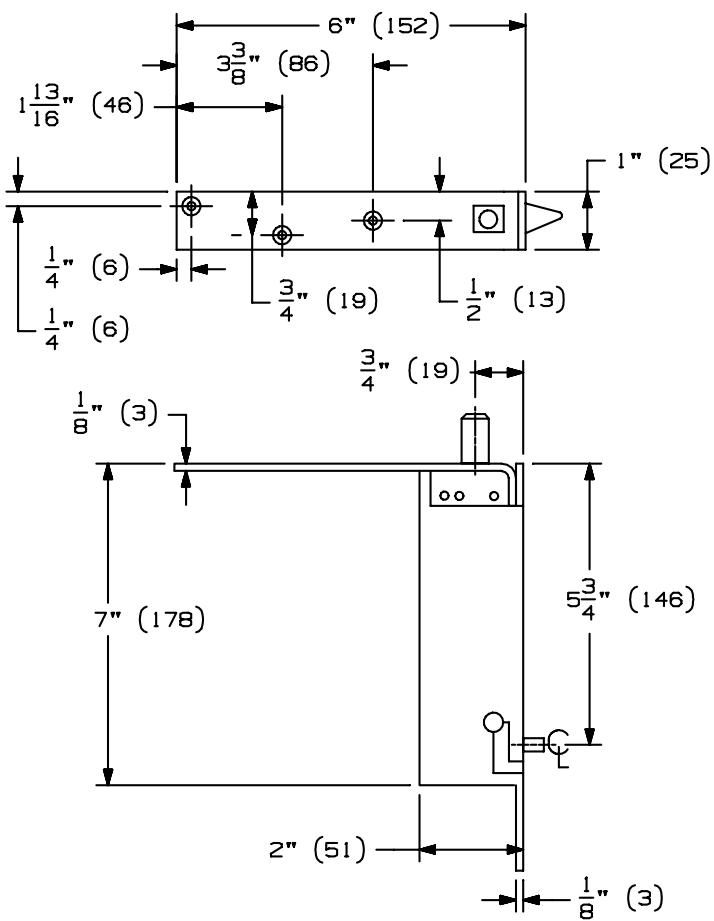
IVES FB42 AUTOMATIC FLUSH BOLT WITH
AUXILIARY FIRE LATCH FOR WOOD
DOORS INSTALLATION TEMPLATE



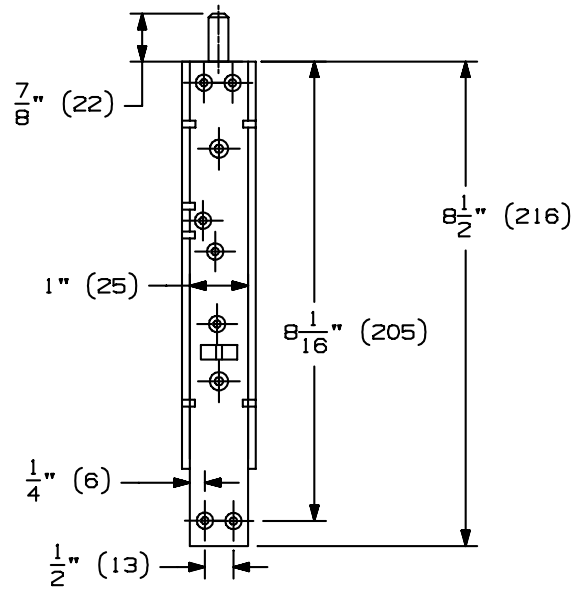
NOTE: DIMENSIONS IN () ARE MILLIMETERS.

TEMPLATE
NUMBER: INST.FB42_0.PG1

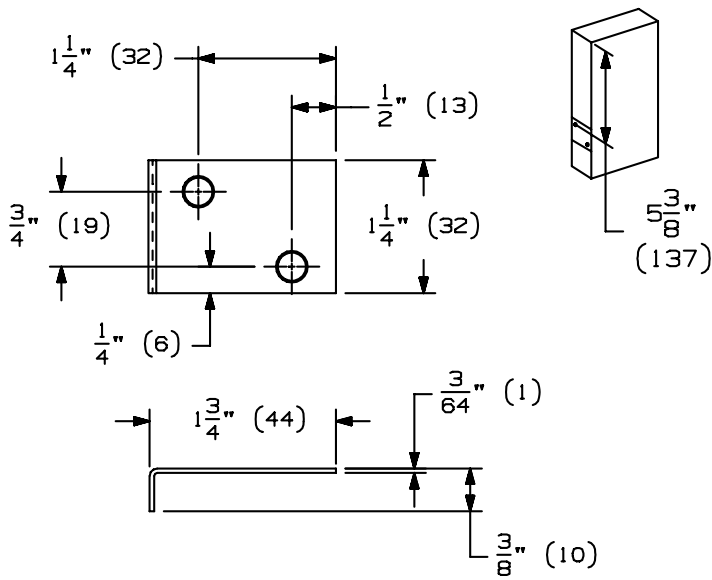
DATE:
09-01-01



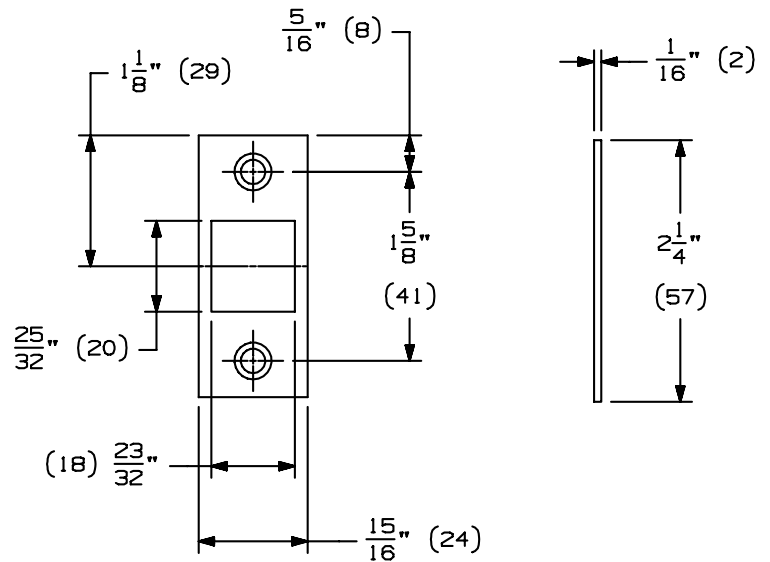
FB41 TOP BOLT
SIDE VIEW



FB41T BASIC DIMENSIONS



FB41 BOTTOM BOLT
SIDE VIEW



STRIKE

IVES FB42 AUTOMATIC FLUSH BOLT WITH
AUXILIARY FIRE LATCH FOR WOOD
DOORS INSTALLATION TEMPLATE

IR Security & Safety®

NOTE: DIMENSIONS IN () ARE MILLIMETERS.

TEMPLATE INST. FB42_0.PG2
NUMBER:

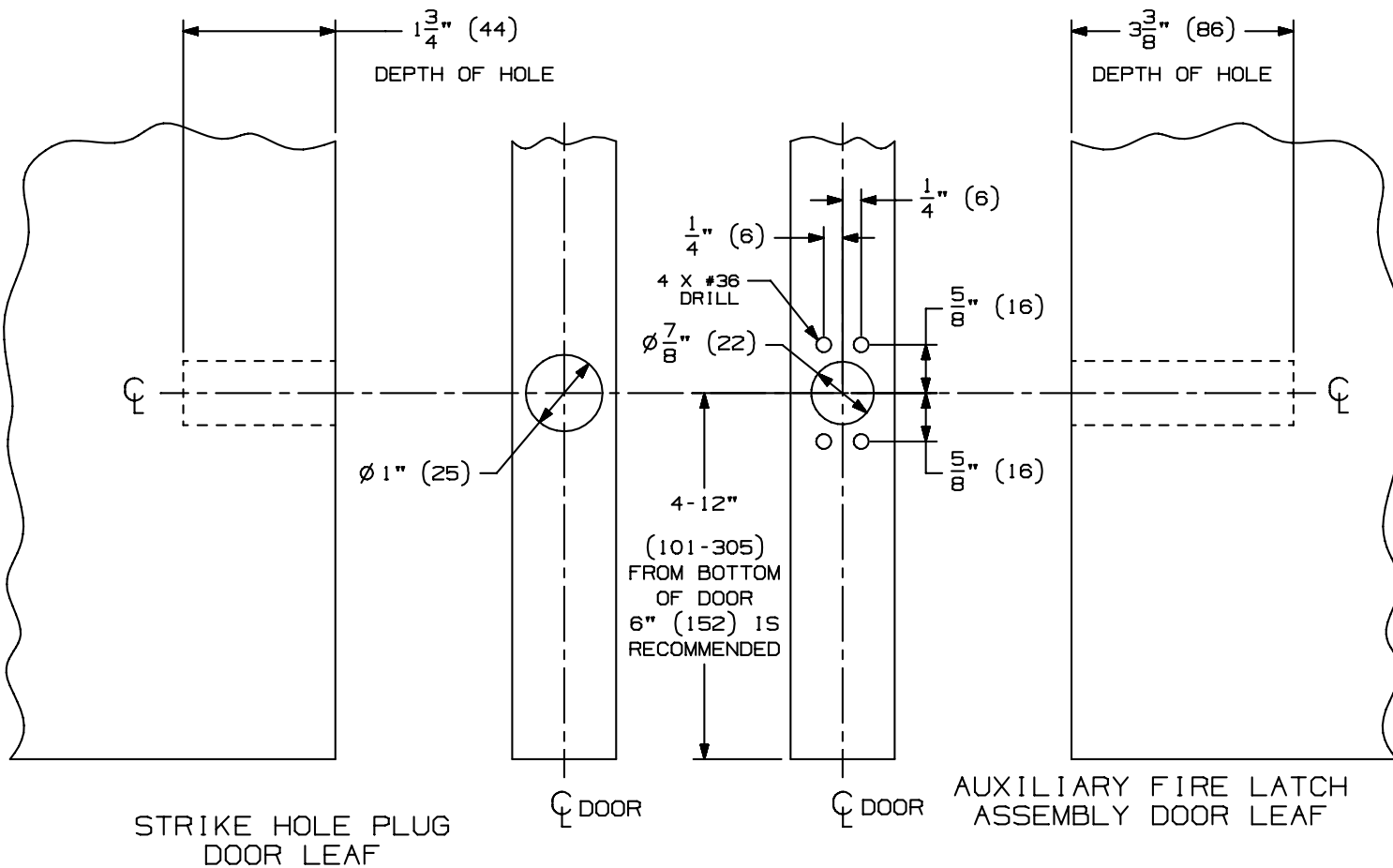
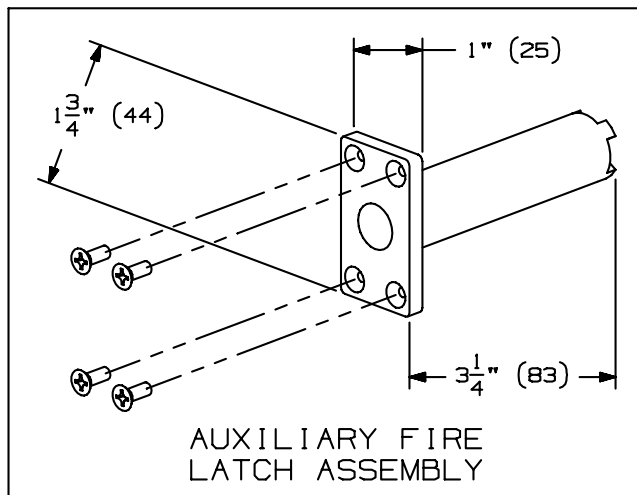
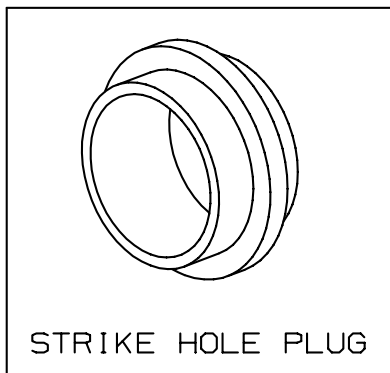
DATE:
09-01-01

LBB FIRE LATCH FOR USE ONLY WITH IVES
 FB32, FB33, FB42, FB52, FB53 AND FB62 FLUSH BOLTS

NOTE:

IT DOES NOT MATTER WHICH DOOR LEAF THE AUXILIARY FIRE LATCH IS INSTALLED. HOWEVER, THE LATCH MUST BE INSTALLED TO MAINTAIN FIRE LISTING. THE PURPOSE OF THE AUXILIARY FIRE LATCH ASSEMBLY IS TO KEEP THE DOORS IN ALIGNMENT DURING A FIRE. IN A FIRE, THE BOLT EXTENDS FROM THE AUXILIARY FIRE LATCH INTO THE STRIKE HOLE IN THE OPPOSITE DOOR LEAF. THE BLACK CAP VISIBLE ON THE FACE OF THE LATCH MUST MELT IN ORDER FOR THE BOLT TO EXTEND, THEREFORE:

DO NOT COVER THE DOOR GAP AT THE AUXILIARY FIRE LATCH WITH A DOOR EDGE GUARD OR SIMILAR DEVICE.



IVES FB42 AUTOMATIC FLUSH BOLT WITH AUXILIARY FIRE LATCH FOR WOOD DOORS INSTALLATION TEMPLATE



NOTE: NOTE: DIMENSIONS IN () ARE MILLIMETERS.

TEMPLATE NUMBER: INST.FB42_0.PG3 DATE: 09-01-01