

FIELD ADJUSTMENT VERTICAL ROD ADJUSTMENT:

FIELD ADJUSTMENT VERTICAL ROD ADJUSTMENT:

TOP FLUSH BOLT: REMOVE GUIDE, TURN BOLT CLOCKWISE OR COUNTERCLOCKWISE AS NECESSARY TO ADJUST, REPLACE GUIDE.

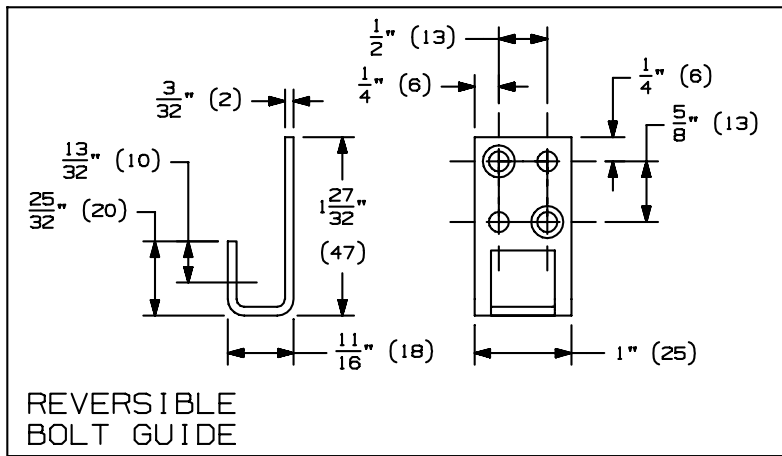
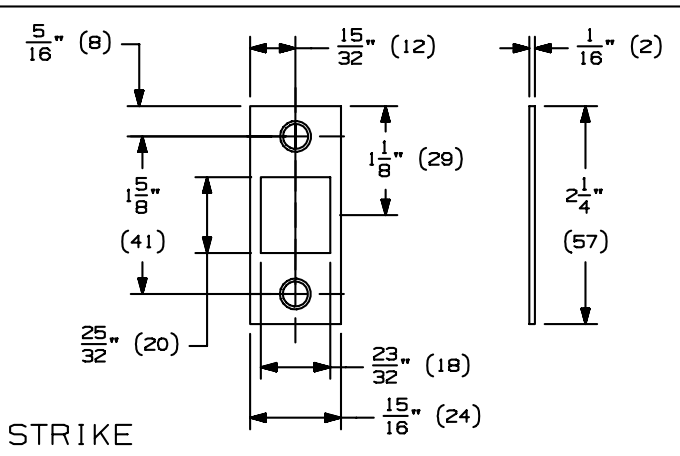
BOTTOM FLUSH BOLT: REMOVE DOOR FROM HINGES, REMOVE GUIDE, TURN BOLT CLOCKWISE OR COUNTERCLOCKWISE AS NECESSARY TO ADJUST, REPLACE GUIDE, REPLACE DOOR

NOTE:

1. INSTALL COORDINATOR BEFORE AUTOMATIC FLUSH BOLTS.
2. THE RECOMMENDED CLEARANCE BETWEEN DOORS IS $\frac{1}{8}$ " (3).
3. THE MAXIMUM UNDERCUT IS 1" (25).
4. FOR ADDITIONAL INFORMATION ON OPTIONAL DUST PROOF STRIKES, SEE DP1 AND DP2 TEMPLATES.

FB31 INSTALLATION INSTRUCTIONS:

1. MORTISE INACTIVE DOOR FOR FB31 FLUSH BOLT.
2. FB31 FLUSH BOLT FITS ANSI 115.4 DOOR AND FRAME PREPARATION.
3. HANG INACTIVE DOOR. WITH DOOR OPEN, MEASURE MINIMUM DISTANCE (MINIMUM CLEARANCE) FROM DOOR TO FINISHED FLOOR.
4. REMOVE DOOR. INSTALL TOP FLUSH BOLT IN EDGE OF DOOR. ADJUST TOP BOLT SO IT IS FLUSH WITH TOP OF DOOR WHEN RETRACTED. IF A BOTTOM FLUSH BOLT IS USED, INSTALL THE FLUSH BOLT AND ADJUST BOLT TO PROJECT $\frac{1}{8}$ " (3) LESS THAN THE MINIMUM CLEARANCE.
5. INSTALL BOLT GUIDES.
6. INSTALL STRIKES.
7. INSTALL RUB PLATES ON EDGE OF ACTIVE DOOR ON CAM CENTERLINES.
8. INSTALL FACE PLATES.



SCREW DETAILS PER FLUSH BOLT			
	QTY	MACHINE SCREWS	SHEET METAL SCREWS
HOUSINGS	4	8-32 X $\frac{3}{8}$ " UFPHMS	----
FACE PLATES	2	6-32 X $\frac{3}{8}$ " UFPHMS	----
STRIKES	2	8-32 X $\frac{3}{8}$ " UFPHMS	#8 X 1" FPHSMS W/PLASTIC EXP SHIELD
RUB PLATES	2	----	#6 X $\frac{3}{4}$ " FPHSMS
GUIDES	2	8-32 X $\frac{3}{8}$ " UFPHMS	----

IVES FB31 AUTOMATIC FLUSH BOLT FOR METAL DOORS INSTALLATION TEMPLATE



NOTE: DIMENSIONS IN () ARE MILLIMETERS.

TEMPLATE NUMBER: INST.FB31_0.PG1

DATE: 09-01-01

