

TEMPLATE DRAWING

991

SLIDING DOOR LOCK

For Privacy (locking)

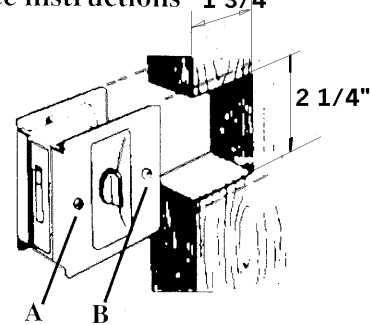
Fits doors 1³/₈" to 1¹/₂" thick

INSTALLATION INSTRUCTIONS

This lock is assembled for doors sliding open left to right from locking side. For doors opening right to left from locking side, see instructions 1 3/4" below for reversing plates.

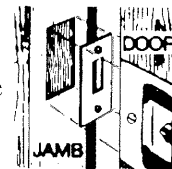
TOOLS REQUIRED: Saw, 1⁵/₁₆" Drill bit, flat head screwdriver, chisel, awl or pencil.

1. Make cutout in door 2¹/₄" high by 1³/₄" deep and slide lock into position.
2. Fasten machine screw (A) and adjust for door thickness, then insert wood screw (B) and tighten.



INSTALLATION OF STRIKE PLATE FOR LOCKING SET ONLY

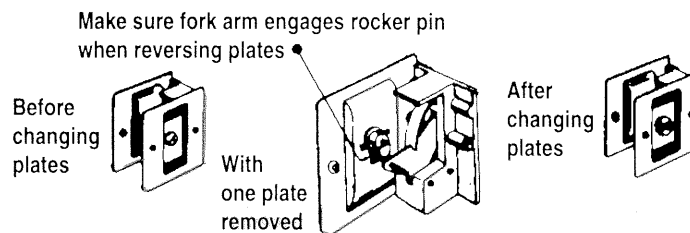
3. To determine horizontal centerline, center strike on jamb and position so that the center of the strike corresponds to the center of the lock body. Mark with pencil. To determine vertical centerline, close door and rotate turnbutton to leave mark on jamb surface. Center strike within indicated lines and marked jamb surface. Chisel out so that strike fits flush in jamb.
4. Drill 1⁵/₁₆" diameter hole in center of chiseled area approximately 1/2" deep. Attach strike plate using flat head wood screws.



TO ASSEMBLE AFTER REVERSING PLATES

To reverse outside plates on lock assembly (see illustration below):

1. Remove machine screw on each side.
2. Change plates from side to side making sure that fork arm engages rocker pin.
3. Re-assemble.



IVES

991 SLIDING DOOR LOCK

TEMPLATE NO. HB-991-125

H.B. IVES

DRAWN BY: FJ HARRIS

DATE: 11-9-94

P.O. BOX 1887, NEW HAVEN, CONN. 06508