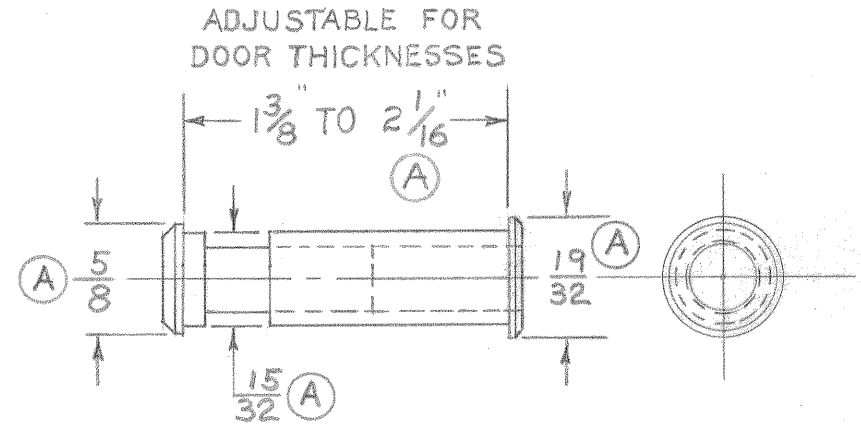


#701



#700

NOTE

DRILL 1/2 DIA. HOLE  
FOR INSTALLATION.  
ANGLE OF VISION = 120°.

U700 & U701 AND 700 & 701 ONE-WAY VIEWER		
LETTER	CHANGE	DATE
A	5/8 WAS 9/16, 15/32 WAS 31/64, 19/32 WAS 5/8, 2-5/8 WAS 2-3/4, 2-1/16 WAS 2/8	11-30-76
B	U700 & U701 ADDED <sup>RCK</sup>	8-16-77
F.C.B.	3-19-65	FULL SIZE