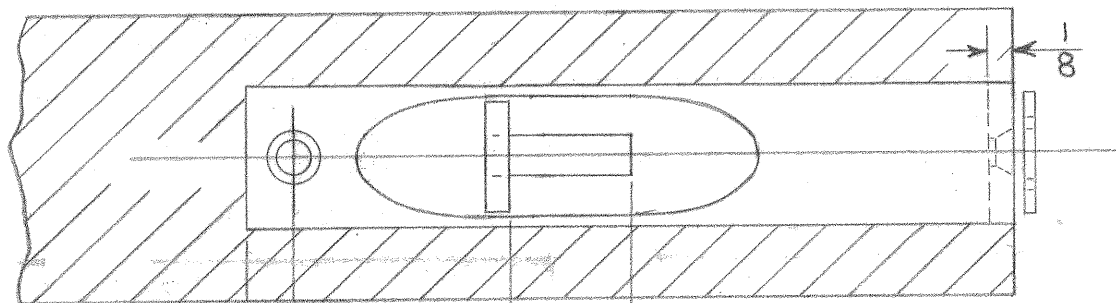
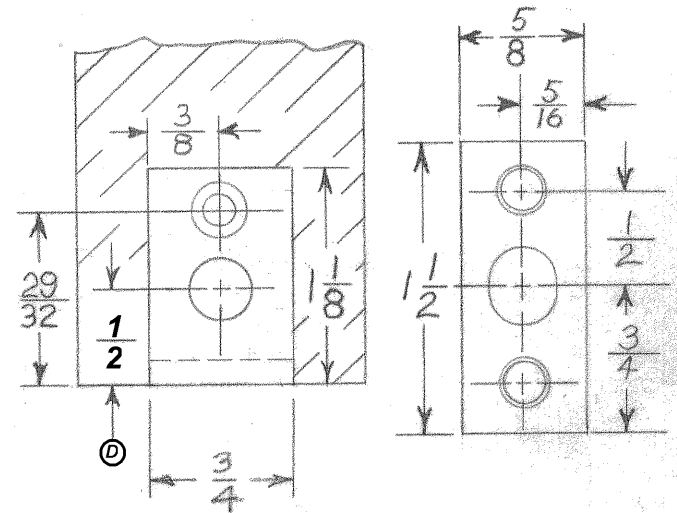
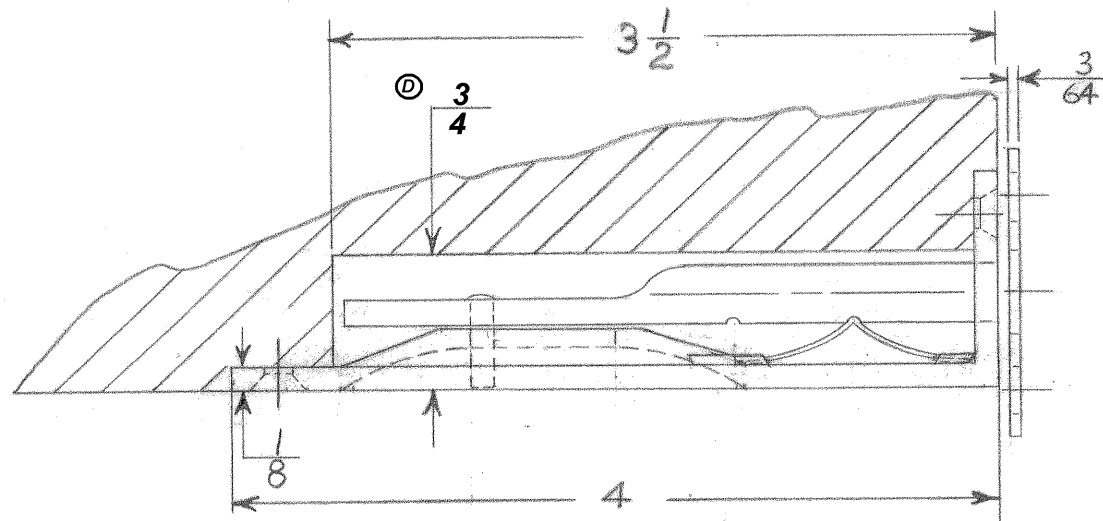


DO NOT SCALE

TEMPLATE DRAWING

DWG. NO. 447D

Ⓐ FURNISHED WITH - 4 - $\frac{3}{4}$ X 6 F.H. WOOD SCREWS



Ⓑ $\frac{1}{4}$ $\frac{3}{4}$ Ⓒ

THROW

261B FLUSH BOLT

LETTER	CHANGE	DATE
A	SCREW SIZE ADDED ^{RSL}	3-17-66
B	$\frac{1}{4}$ ADDED ^{RSL}	11-22-71
C	$\frac{3}{4}$ WAS $\frac{5}{8}$	3-11-03
F.C.B. 10-28-59 FULL SIZE		

D $\frac{1}{2}$ WAS $\frac{15}{32}$, $\frac{3}{4}$ WAS $\frac{11}{16}$ 6/2/03

IVES DIVISION
LEIGH PRODUCTS, INC.
P. O. BOX 1887, NEW HAVEN, CONN. 06508