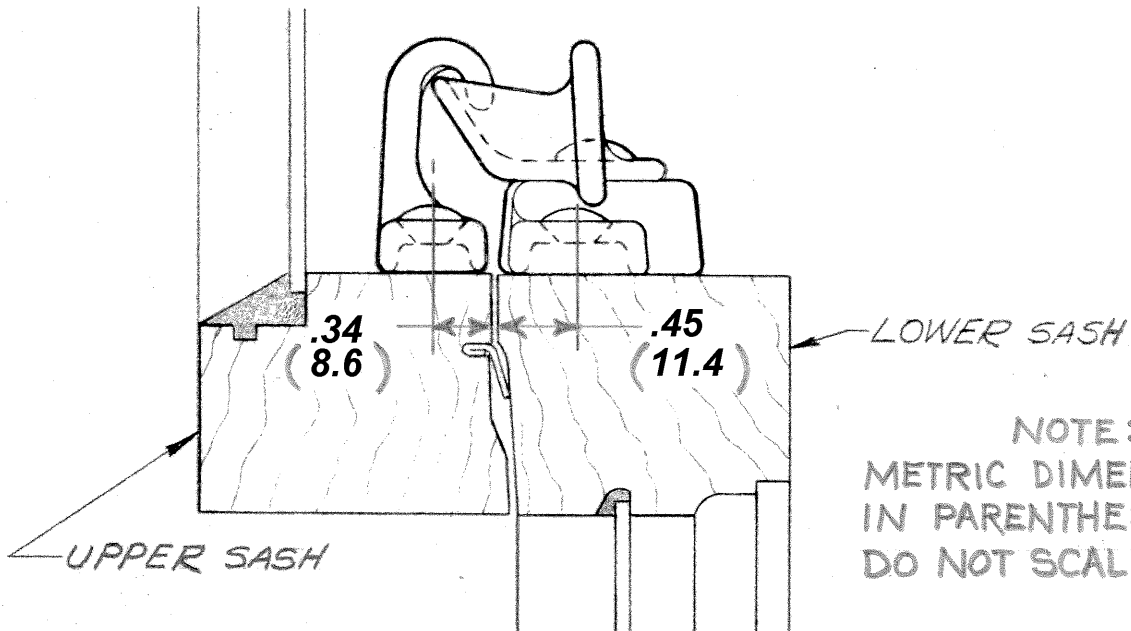
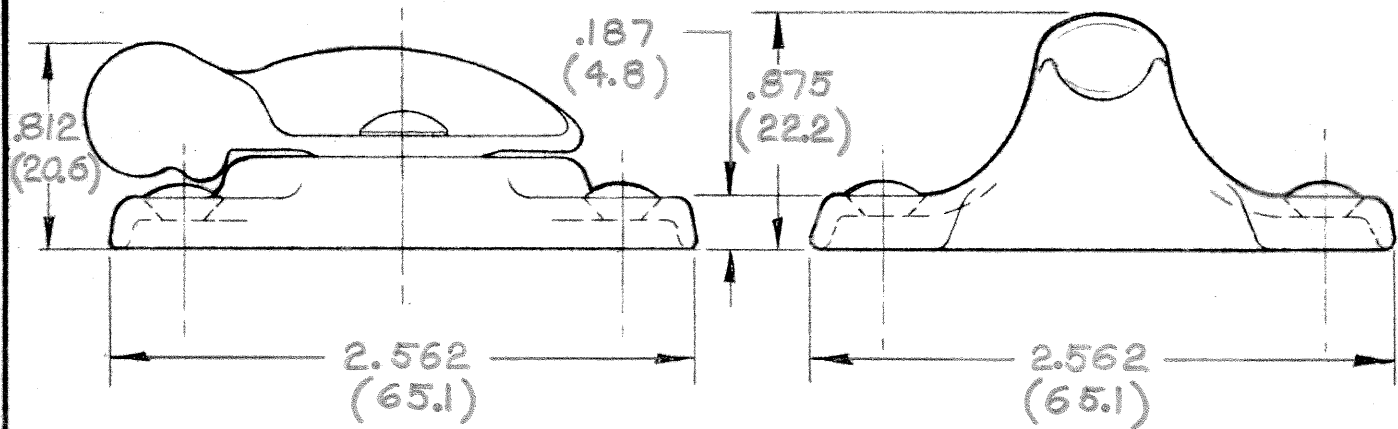
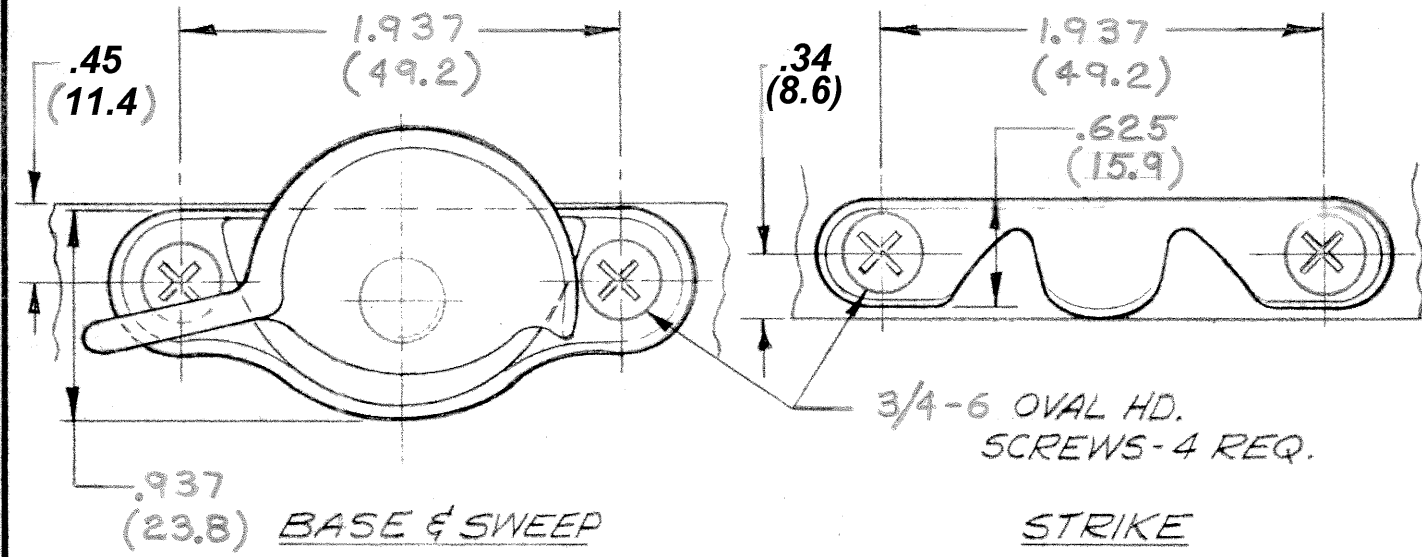


# TEMPLATE DRAWING

DWG # 2254 **B**  
Rev **B**, new drawing #  
1/14/03



NOTE:  
METRIC DIMENSIONS  
IN PARENTHESES.  
DO NOT SCALE



07A SASH FASTENER

TEMPLATE NO. **HB-07-43**  
DRAWN BY: **ROK** DATE: **8-28-79**

**IVES DIVISION**  
LEIGH PRODUCTS, INC.  
P. O. BOX 1887, NEW HAVEN, CONN. 06508