

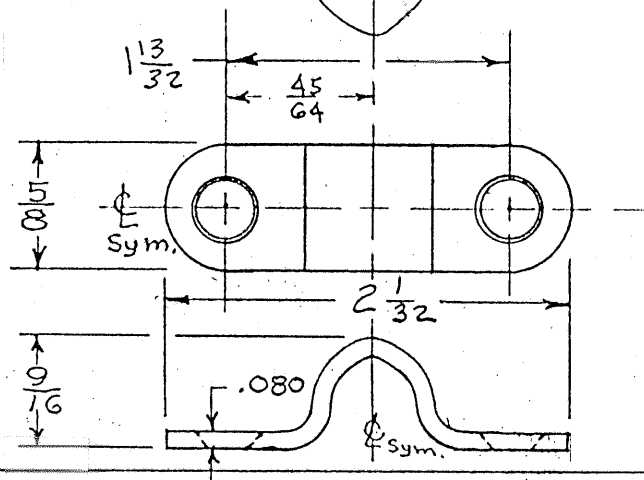
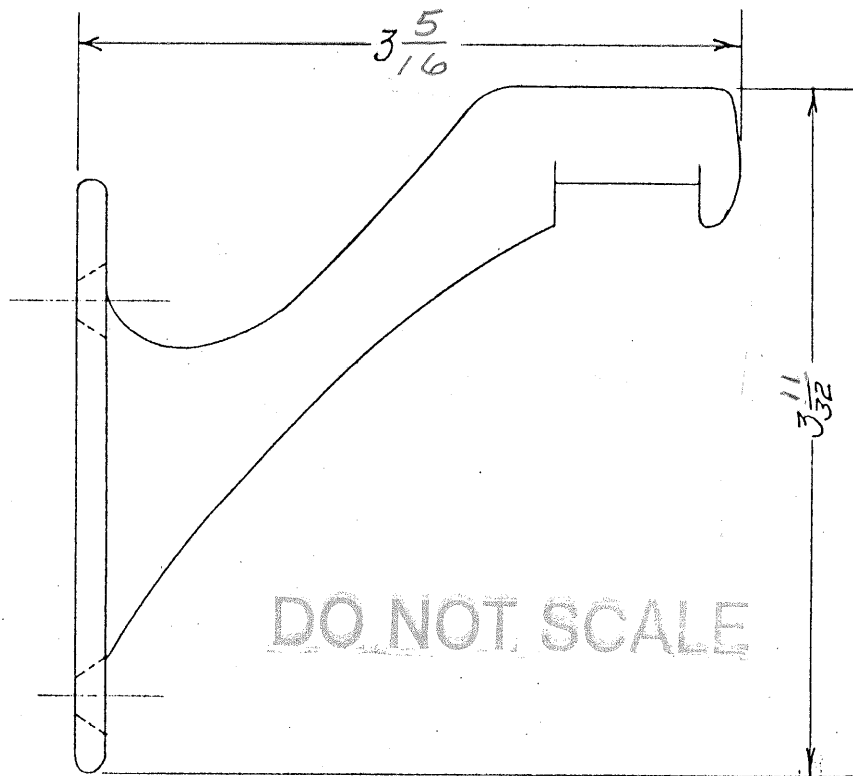
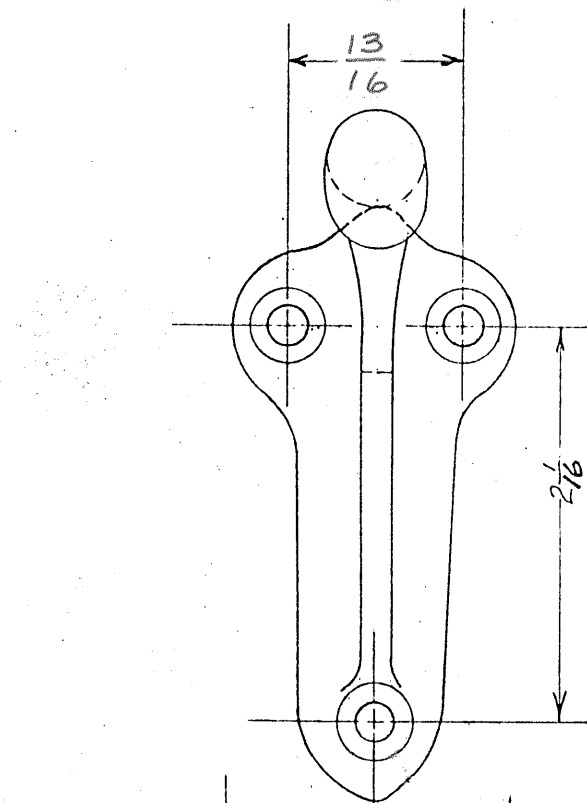
TEMPLATE DRAWING

HB-59B-108

USE (3) $1\frac{1}{2}$ X 10 OH. WOOD SCREWS FOR BRACKET

DWG # 2275 A
Rev A, new drawing #
10/5/99

(2) 1 X 8 OH WOOD SCREWS FOR CLAMP



HB-59B-108

59MB Hand Rail Bracket
Scale: Full Size

Change No.	Date	Remarks

IVES DIVISION
LEIGH PRODUCTS, INC.
P. O. BOX 1887, NEW HAVEN, CONN. 06508