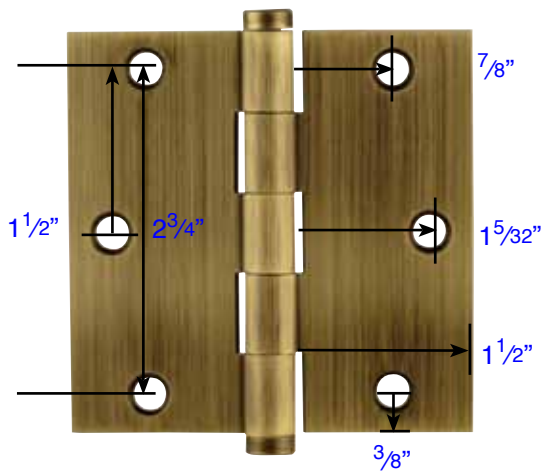


SOLID BRASS & PLATED STEEL HINGES



3 1/2" x 3 1/2"

Brass Residential Duty

Square Corner: 96113

1/4" Radius: 96123

5/8" : 96133

Brass Heavy Duty, Plain Bearing

Square Corner: 96213

1/4" Radius: 96223

5/8" : 96233

Brass Heavy Duty, Ball Bearing

Square Corner: 96413

Steel Residential Duty

Square Corner: 91013

1/4" Radius: 91023

5/8" : 91033

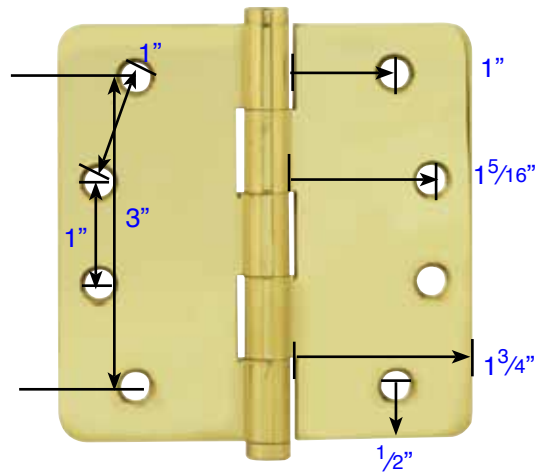
Steel Heavy Duty, Plain Bearing

Square Corner: 92013

1/4" Radius: 92023

Steel Heavy Duty, Ball Bearing

Square Corner: 94013



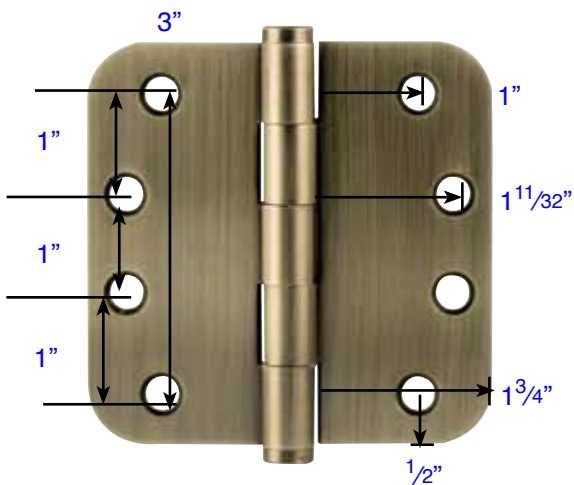
4" x 4"

Steel Residential Duty

Square Corner: 91014

1/4" Radius: 91024

5/8" : 91034



4" x 4"

Brass Residential Duty

Square Corner: 96114

1/4" Radius: 96124

5/8" : 96134

Brass Heavy Duty, Plain Bearing

Square Corner: 96214

1/4" Radius: 96224

5/8" : 96234

Brass Heavy Duty, Ball Bearing

Square Corner: 96414

Steel Heavy Duty, Plain Bearing

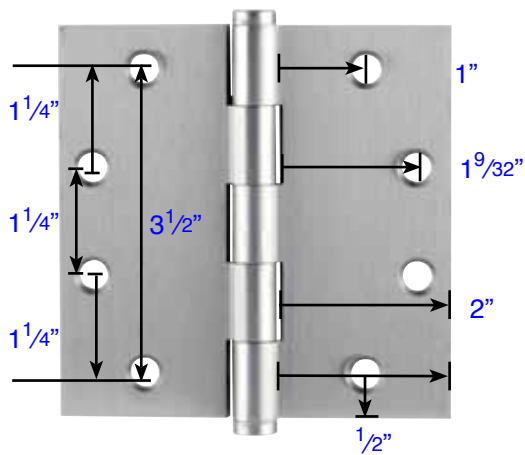
Square Corner: 92014

1/4" Radius: 92024

Steel Heavy Duty, Ball Bearing

Square Corner: 94014

1/4" Radius: 94024



4 1/2" x 4 1/2"

Brass Heavy Duty, Plain Bearing

Square Corner: 96215

1/4" Radius: 96225

Brass Heavy Duty, Ball Bearing

Square Corner: 96415

1/4" Radius: 96425

Steel Heavy Duty, Plain Bearing

Square Corner: 92015

1/4" Radius: 92025

Steel Heavy Duty, Ball Bearing

Square Corner: 94015

1/4" Radius: 94025