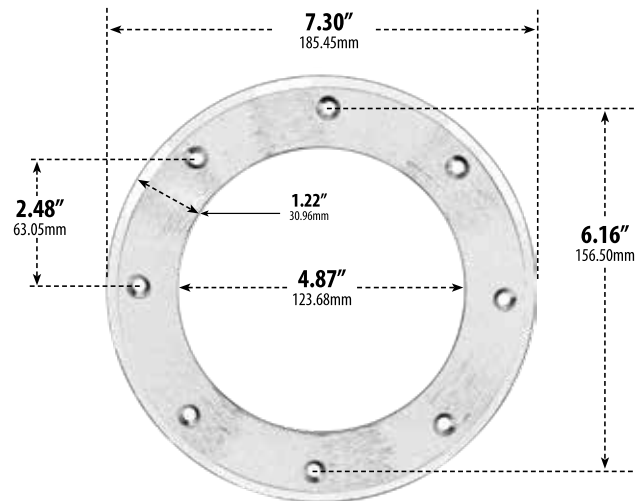
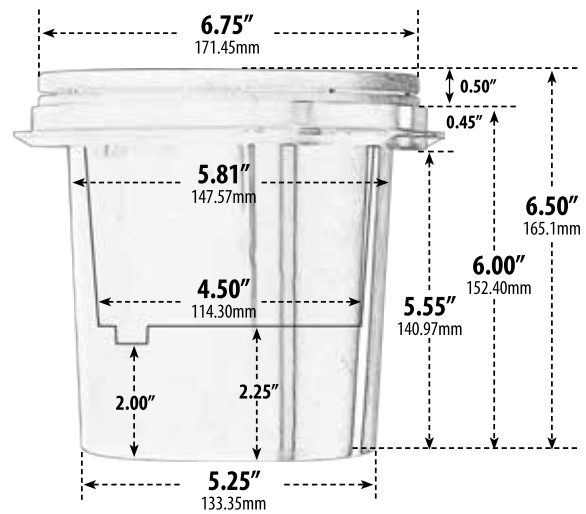
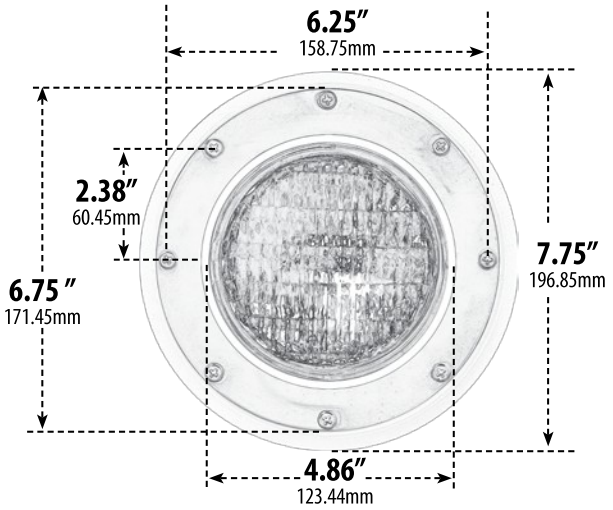


LV306-SLV

ADJUSTABLE IN-GROUND WELL LIGHT



Stainless Steel 304 Cover Specs

- ▶ **Material:** Powder Coated Cast Aluminum with PVC Sleeve
- ▶ **Lens:** Clear, Heat Resistant, Tempered Glass
- ▶ **Lamp:** PAR36 (50W Maximum)
- ▶ **Installation Type:** Rated for In-Ground Soil and Concrete Applications
- ▶ **Available Finish:** Black, Bronze, Green, Verde Green, *Stainless Steel 304*
- ▶ **ETL Approved**

MODEL NUMBER	LAMP TYPE	ILLUMINANT TYPE	WATTS (W)	VOLTS (V)	LAMP(S) INCLUDED?
LV306-SLV	PAR36	HALOGEN	50	12	YES
LV306-LED4-SLV	PAR36-LED	SMD LEDs	4	12	YES
LV306-LED6-SLV	PAR36-LED	SMD LEDs	6	12	YES
LV306-LED9-SLV	PAR36-LED	SMD LEDs	9	12	YES

Pre-wired with UL Listed Direct Burial Wire/Cable

Overall Dimensions:
 6.50"H x 7.75"W x 7.75"D
 Weight: 3.0 lbs
 Approximate Wire Length: 16"
 Box Dimensions:
 7.00"H x 7.75"W x 7.75"D

DABMAR
 LIGHTING
 DABMAR LIGHTING INCORPORATED

2140 Eastman Ave . Oxnard, CA 93030 . 805.604.9090 . f: 805.604.9050 . www.dabmar.com