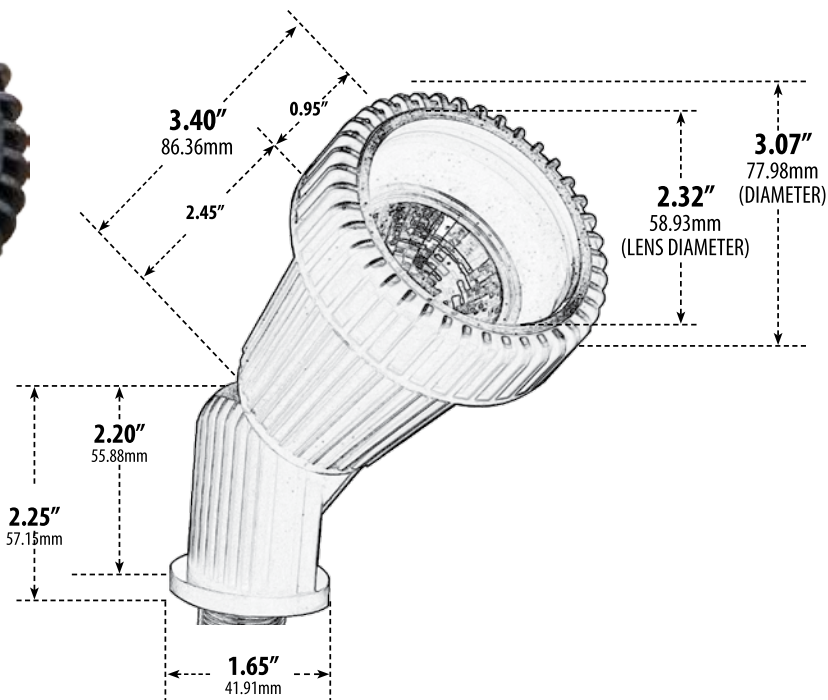


# LV225

## DIRECTIONAL SPOT LIGHT



- ▶ **Material:** Polybutylene Terephthalate
- ▶ **Lens:** Clear, Heat Resistant, Tempered Glass
- ▶ **Lamp:** MR16 Bi-Pin Base (20W Maximum)

MODEL NUMBER	LAMP TYPE	ILLUMINANT TYPE	WATTS (W)	VOLTS (V)	LAMP(S) INCLUDED?
LV225	MR16	HALOGEN	20	12	YES
LV225-LED3	MR16-LED	LED COB	3	12	YES
LV225-LED7	MR16-LED	SMD LED	7	12	YES

Pre-wired with UL Listed Direct Burial Wire/Cable

- ▶ **Adjustable Knuckle with 1/2" NPT**
- ▶ **Ground Spike Included for Installation**
- ▶ **Connector Available:** P-CN01 (sold separately)
- ▶ **Available Color:** Black
- ▶ **ETL Approved**

Overall Dimensions:  
5.75"H x 3.07"W x 5.50"D

Maximum Height: 6.00"  
Minimum Height: 4.25"  
Maximum Depth: 6.00"  
Minimum Depth: 3.50"

Weight: 0.60  
Approximate Wire Length: 20"  
Box Dimensions:  
8.63"H x 3.38"W x 2.88"D

**DABMAR**  
LIGHTING

DABMAR LIGHTING INCORPORATED

2140 Eastman Ave . Oxnard, CA 93030 . 805.604.9090 . f: 805.604.9050 . www.dabmar.com