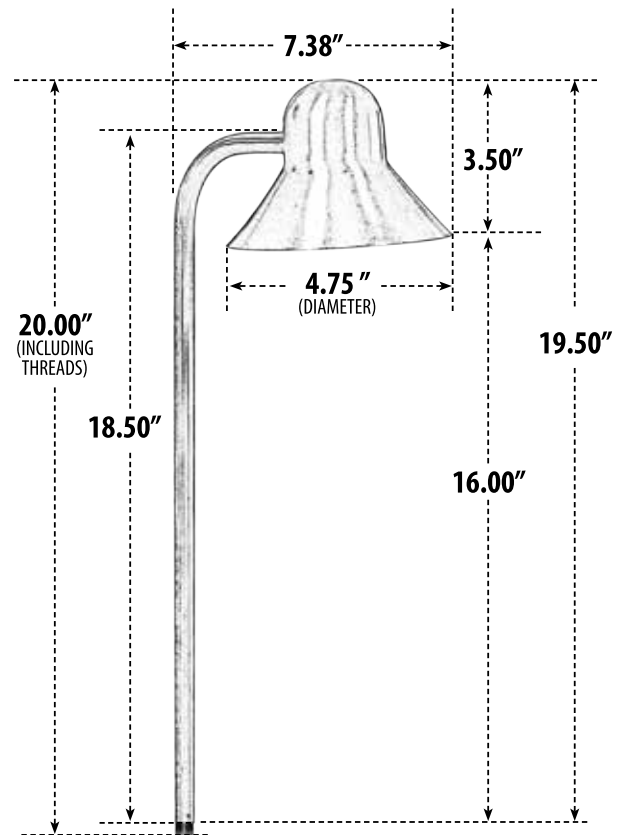


LV217

PATH, WALKWAY AND AREA LIGHT



- ▶ **Material:** Brass
- ▶ **Lens:** No Lens, Open Lamp
- ▶ **Lamp:** JC Bi-Pin Base (20W Maximum)

MODEL NUMBER	LAMP TYPE	ILLUMINANT TYPE	WATTS (W)	VOLTS (V)	LAMP(S) INCLUDED?
LV217	JC	HALOGEN	20	12	YES
LV-LED217	JC-LED	LED	2.5	12	YES

Pre-wired with UL Listed Direct Burial Wire/Cable

- ▶ 1/2" NPT
- ▶ **Ground Spike Included for Installation**
- ▶ **Connector Available:** P-CN01 (sold separately)
- ▶ **Available Finish:** Antique Brass, Acid Green
- ▶ **ETL Approved**

Overall Dimensions:
20.00"H x 4.75"W x 7.38"D

Maximum Height: 20.00"
Width: 4.75"
Maximum Depth: 7.38"

Weight: 0.80 lbs
Approximate Wire Length: 19"
Box Dimensions:
20.00"H x 4.75"W x 7.38"D

DABMAR
LIGHTING

DABMAR LIGHTING INCORPORATED

2140 Eastman Ave . Oxnard, CA 93030 . 805.604.9090 . f: 805.604.9050 . www.dabmar.com