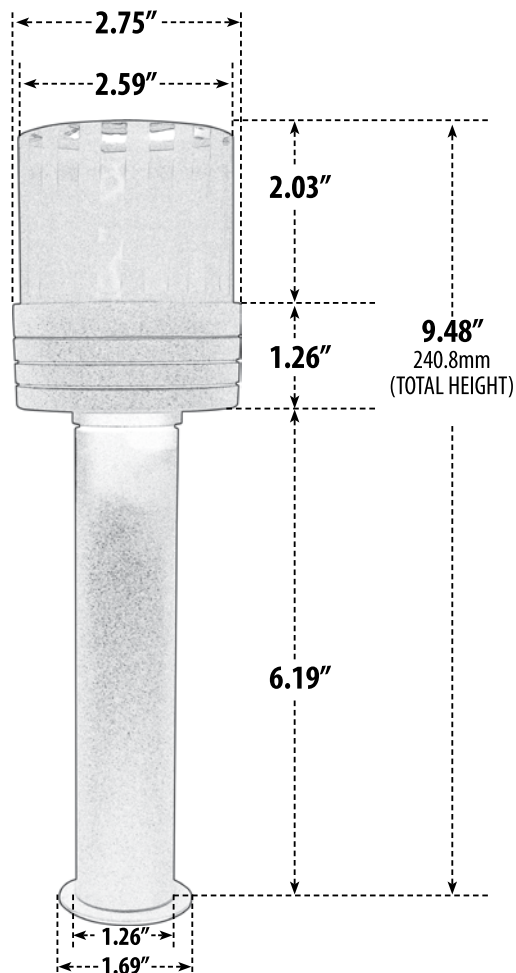


# LV-LED7

## ACCENT, PATH, WALKWAY AND AREA LIGHT



- ▶ **Material:** Cast Aluminum
- ▶ **Lens:** Crystal Lens
- ▶ **Lamp:** Integral LED Circuit Board

MODEL NUMBER	LAMP TYPE	ILLUMINANT TYPE	WATTS (W)	VOLTS (V)	LAMP(S) INCLUDED?
LV-LED7/G	LED Board	12 LEDs	5	12	YES
LV-LED7/R	LED Board	12 LEDs	5	12	YES
LV-LED7/W	LED Board	12 LEDs	5	12	YES

Magnetic transformer recommended for LED lamps

- ▶ **Lamp Color:** Green, Red, White
- ▶ **Available Finish:** Gray
- ▶ **Replacement Ground Spike:** LV-S2-F (Item Sold Separately)
- ▶ **Connector Available:** P-CN01 (sold separately)
- ▶ **ETL Approved**

Overall Dimensions:  
9.48"H x 2.75"W x 2.75"D

Weight: 1.8 lbs  
Approximate Wire Length: 22"  
Box Dimensions: 3.25"H x 9.75"W x 3.50"D

**DABMAR**  
LIGHTING

DABMAR LIGHTING INCORPORATED

2140 Eastman Ave . Oxnard, CA 93030 . 805.604.9090 . f: 805.604.9050 . www.dabmar.com