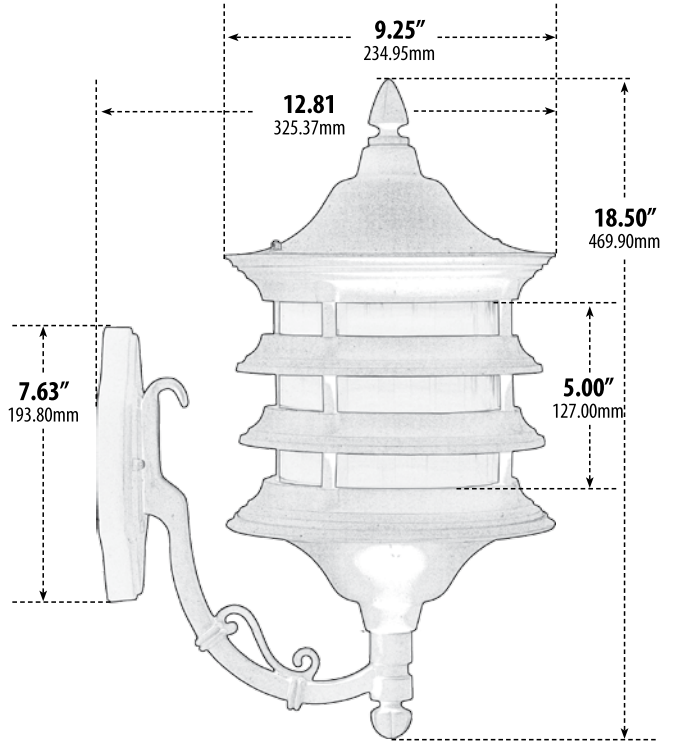


# GM185

## WALL FIXTURE



- ▶ **Material:** Powder Coated Cast Aluminum
- ▶ **Lens:** White Polycarbonate
- ▶ **Available Finish:** Black, White, Verde Green
- ▶ **ETL Approved**

Overall Dimensions:  
18.50"H x 9.25"W x 12.81"D

Weight: 4.8 lbs  
Approximate Wire Length: 8"  
Box Dimensions:  
18.50"H x 14.25"W x 10.63"D

MODEL NUMBER	LAMP TYPE	ILLUMINANT TYPE	WATTS (W)	VOLTS (V)	LAMP(S) INCLUDED?
GM185**	A-Type	Incandescent	60	120	NO
GM184	S13-GU24	Fluorescent	13	120	YES
GM187	S26-GU24	Fluorescent	26	120	YES

\*\*AVAILABLE IN 16W LED Add -LED16 to Model Number



**DABMAR**  
LIGHTING

DABMAR LIGHTING INCORPORATED

2140 Eastman Ave . Oxnard, CA 93030 . 805.604.9090 . f: 805.604.9050 . www.dabmar.com