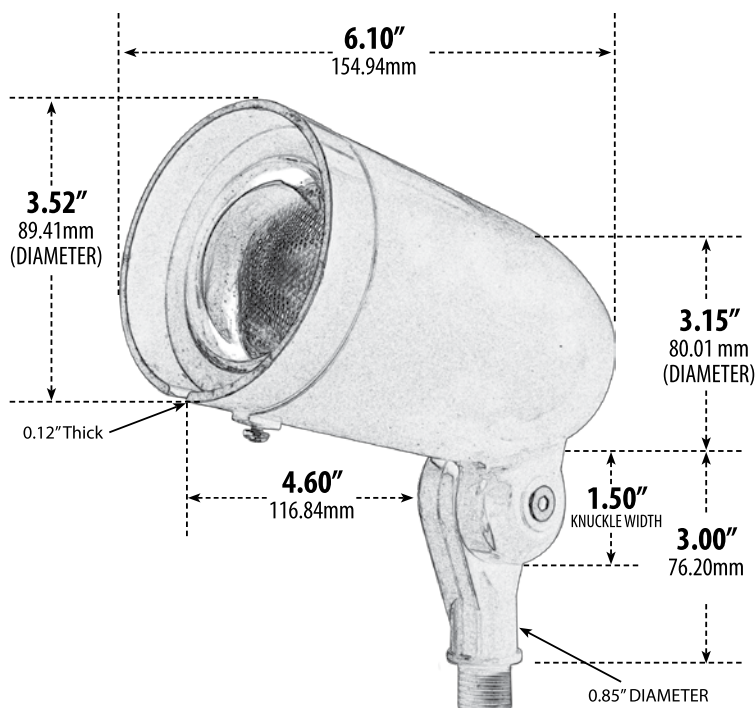


FG22

DIRECTIONAL SPOT LIGHT



- ▶ **Material:** Fiberglass
- ▶ **Lens:** Clear, Heat Resistant, Tempered Glass
- ▶ **Lamp:** PAR20 (50W Maximum) (30K or 60K LED)

MODEL NUMBER	LAMP TYPE	ILLUMINANT TYPE	WATTS (W)	VOLTS (V)	LAMP(S) INCLUDED?
FG22	PAR20	HALOGEN	50	120	NO
FG-LED22	PAR20-LED	SMD LED	7	120-277	YES

- ▶ **Adjustable Knuckle with 1/2" NPT**
- ▶ **Ground Spike Available:** LV-S6 (sold separately)
- ▶ **Available Color:** Black, Bronze
- ▶ **ETL Approved**

Overall Dimensions:
5.75"H x 3.52"W x 6.10"D

Maximum Height: 8.50"
Minimum Height: 7.00"
Width: 3.52"
Maximum Depth: 6.50"
Minimum Depth: 5.00"

Weight: 1.2 lbs.
Approximate Wire Length: 16"
Box Dimensions:
8.00"H x 5.25"W x 3.88"D

DABMAR
LIGHTING

DABMAR LIGHTING INCORPORATED

2140 Eastman Ave . Oxnard, CA 93030 . 805.604.9090 . f: 805.604.9050 . www.dabmar.com