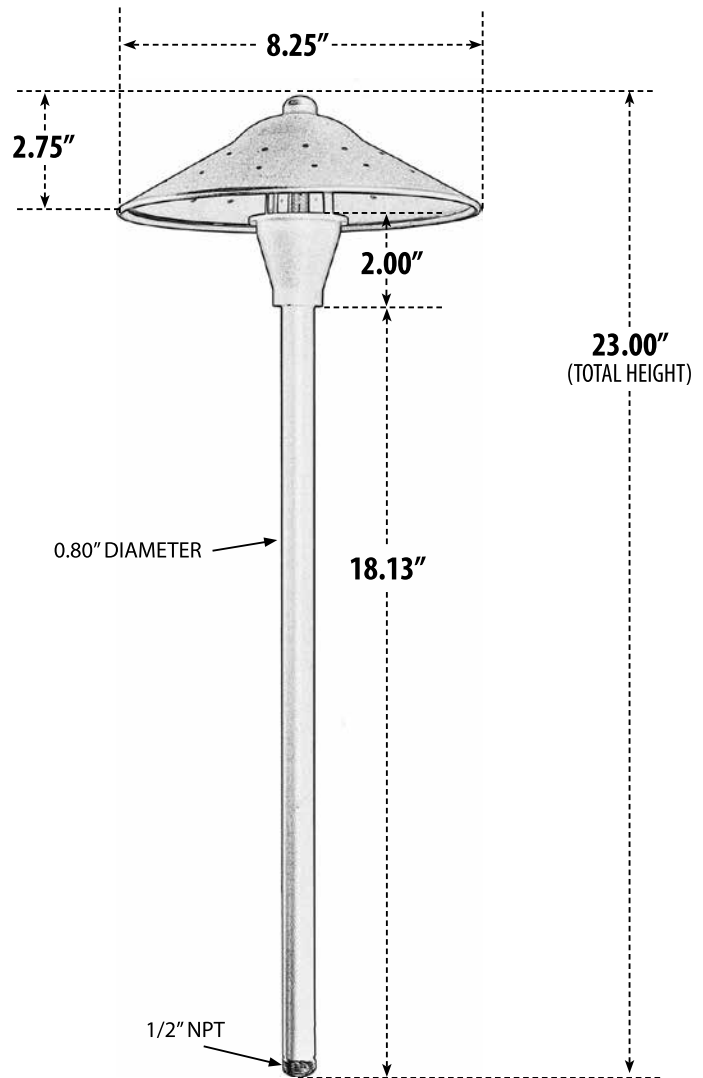


LV214-23

PATH, WALKWAY AND AREA LIGHT



- ▶ **Material:** Powder Coated Cast Aluminum
- ▶ **Lens:** Clear, Heat Resistant, Tempered Glass
- ▶ **Lamp:** JC Bi-Pin Base (20W Maximum)

MODEL NUMBER	LAMP TYPE	ILLUMINANT TYPE	WATTS (W)	VOLTS (V)	LAMP(S) INCLUDED?
LV214-23	JC	HALOGEN	20	12	YES
LV-LED214-23	JC-LED	LED	2.5	12	YES

Pre-wired with UL Listed Direct Burial Wire/Cable

- ▶ **1/2" NPT**
- ▶ **Ground Spike Included for Installation**
- ▶ **Connector Available:** P-CN01 (sold separately)
- ▶ **Available Finish:** Black, Bronze, Verde Green
- ▶ **ETL Approval Pending**

Overall Dimensions:
23.00" H x 8.25" W x 8.25" D

Maximum Height: 23.00"
Width: 8.25"
Maximum Depth: 8.25"

Weight: 1.00 lbs
Approximate Wire Length: 20.5"
Box Dimensions: 0.00" H x 0.00" W x 0.00" D



DABMAR LIGHTING INCORPORATED

2140 Eastman Ave . Oxnard, CA 93030 . 805.604.9090 . f: 805.604.9050 . www.dabmar.com