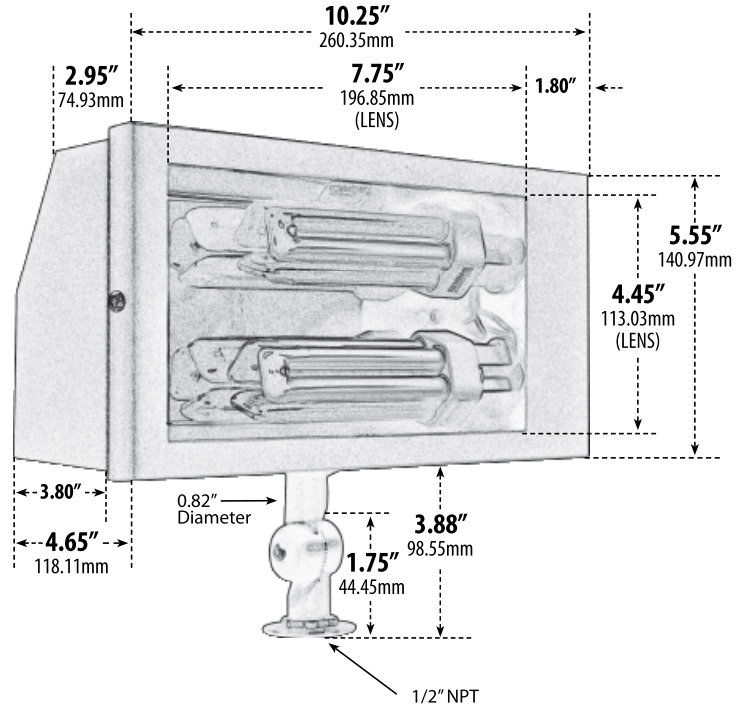


DF5675 - DF5685

AREA FLOOD LIGHT



- ▶ **Material:** Powder Coated Brass
- ▶ **Lens:** Clear Acrylic Lens
- ▶ **Lamp:** PL26 4-Pin or PL32 4-Pin

MODEL NUMBER	LAMP TYPE	ILLUMINANT TYPE	WATTS (W)	VOLTS (V)	LAMP(S) INCLUDED?
DF5675	2 x PLQ26	FLUORESCENT	52	120	YES
DF5675-277V	2 x PLQ26	FLUORESCENT	52	120-277	YES
DF5685	2 x PLQ32	FLUORESCENT	64	120	YES
DF5685-277V	2 x PLQ32	FLUORESCENT	64	120-277	YES

- ▶ **Adjustable Knuckle with 1/2" NPT**
- ▶ **Ground Mounting Spikes:** LV-S6 (sold separately)
- ▶ **Available Color:** Black, White, Verde Green
- ▶ **ETL Approved**

Overall Dimensions:
10.50"H x 10.25"W x 6.00"D

Maximum Height: 11.00"
Minimum Height: 7.75"
Width: 10.25"
Maximum Depth: 8.50"
Minimum Depth: 5.00"

Weight: 4.40 lbs
Approximate Wire Length: 5.00"
Box Dimensions:
10.50"W x 8.25"H x 4.75"D



DABMAR LIGHTING INCORPORATED

2140 Eastman Ave . Oxnard, CA 93030 . 805.604.9090 . f: 805.604.9050 . www.dabmar.com