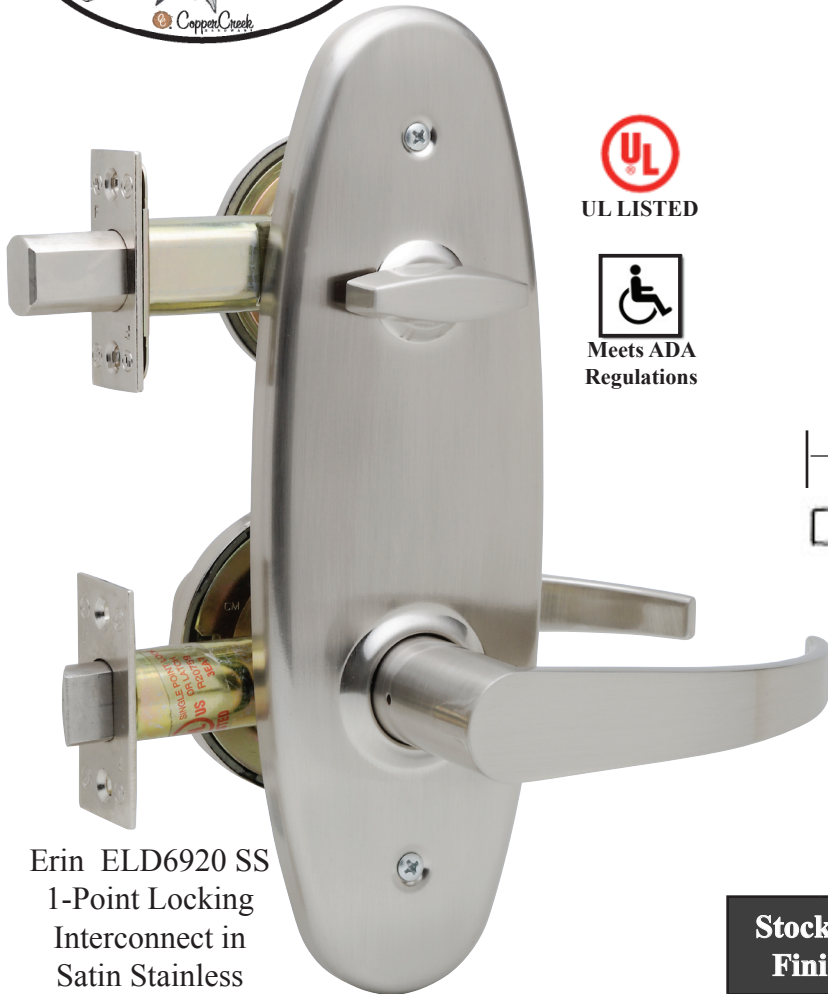




Bulldog Commercial Hardware 6900 Series ANSI/BHMA Grade-2 Heavy Duty Interconnect Specifications



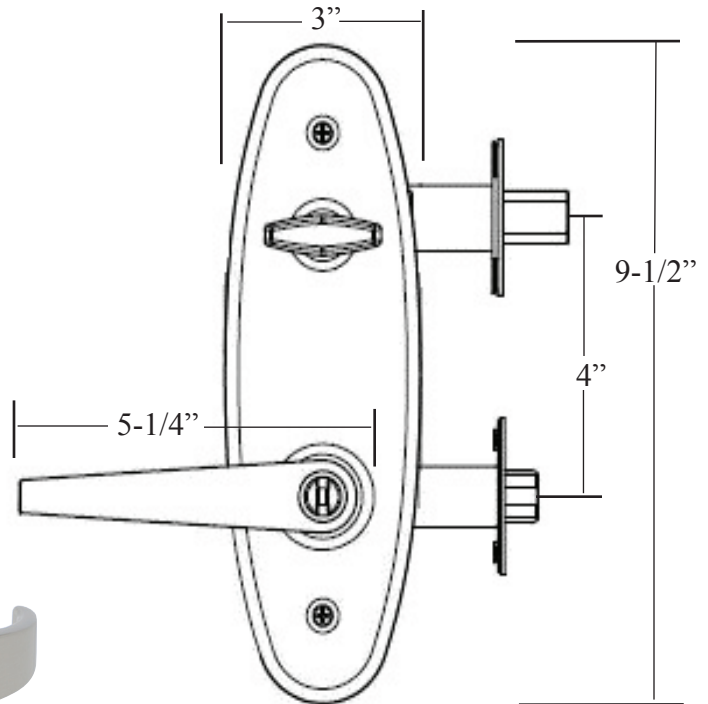
Erin ELD6920 SS
1-Point Locking
Interconnect in
Satin Stainless
finish shown



UL LISTED



Meets ADA
Regulations



Stocking Finish		Special Order Finishes			Case Qty	Case Wt	Case Size
SS	10B	AB	PB	PS	Units	LBS	LxWxH
x	x	x	x	x	10	25	15x9x12

INTERCONNECT SPECIFICATIONS		INTERCONNECT FUNCTIONS		
ANSI/BHMA	Grade-2.		ELD6920 Passage	Both levers always free turning to retract latch. Rotating inside lever simultaneously unlocks deadbolt. Deadbolt also unlocked with key or by rotating thumb turn.
Latch	2-3/8" backset, 1" round corner narrow faceplate std. 2-3/4" square corner optional.		1-Point Locking	
Strikes	Deadbolt: PT-DS06 2-3/4" RCS std. Lever: PT-LS16 full lip RCS std.			
Cylinder	5 pin KW1 std. "C" optional.		ELD6941 Entry	Key or inside push button locks both levers. Turning inside lever unlocks both levers and the deadbolt simultaneously. Deadbolt also unlocked with key or by rotating interior thumb turn.
Door Prep	1" edge bore, 1"x 2-1/4" latch mortise, 2-1/8" cross bores, 4" Center to Center.		2-point Locking	
Door Thickness	Min. 1-3/8", Max 1-3/4".			
Handing	Non-Handed Design.			
U.L.	3 hour, U.L. Labeled Fire Rated.			
Warranty	Lifetime mechanical, 2 year finish.			