

CL100™ Lever

The **CL100 Lever** is the most common commercial side handle fitted to the **CL100 Mortise Lock**. It is robust and strong and has a commercial look that matches other commercial handles and locks in most applications. The vertical lever grip enables a positive pull action on even the heaviest doors.



A CaviLock CL100 Lever with key on aluminum door.

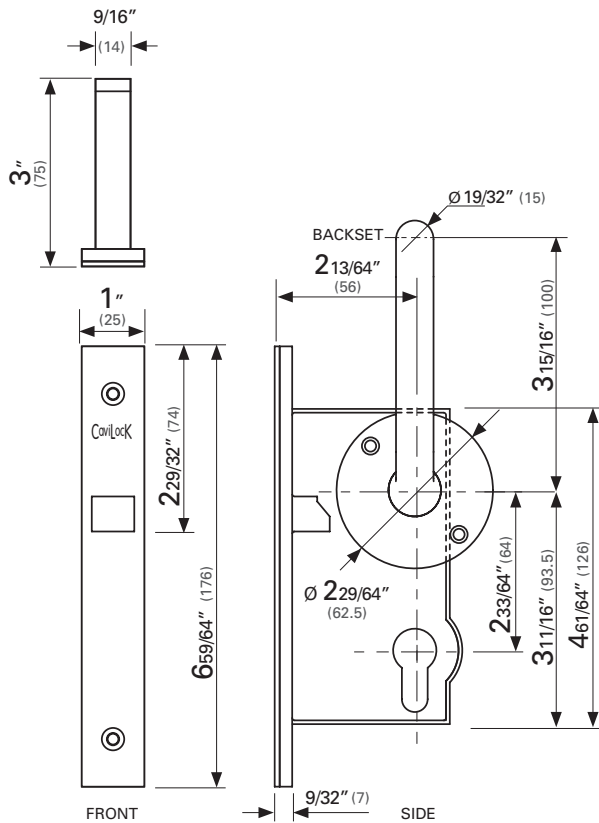


A CaviLock CL100 Lever with Key on timber door.

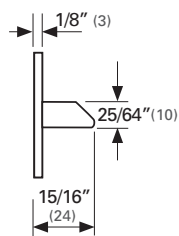
 **CaviLock®**

Handles & locks for sliding doors

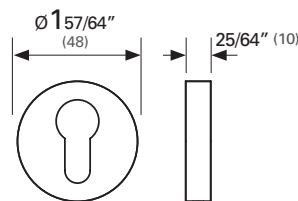
Dimensions



STRIKER



ESCUTCHEON



Finish Options & Configurations

- ▮ Satin Chrome
 - CL100B5002 (Latching only)
 - CL100A7010 (Key/Turn)
- ▮ Polished Brass
 - CL100B5003 (Latching only)
 - CL100A7011 (Key/Turn)

For other configurations, including Exit Free options, contact us for more information.

Drawings & pictures are not to scale. All dimensions in inches (and mm).

The CL100 Lever is also available with an ADA compliant privacy turn, which can be easily locked or unlocked with minimal effort.



Other lever and rose hardware may be fitted to the side of the CL100 Mortise Lock - please contact your distributor for information on which handles are applicable.



CL100 Lever with ADA privacy turn on aluminum door leaf.

Key Locking

Key locking may be added to the CL100 Mortise Lock with the addition of a Euro Profile cylinder with American Schlage C Keyway, specified as either KA (Keyed Alike) or KD (Keyed to Differ).

Please note that this specification must be done at time of order.

Construction

Case:	Die cast Zinc
Internal Parts:	Bronze/Brass
Screws, springs etc:	Stainless Steel
Faceplate & striker:	Brushed Stainless Steel or Brass (depending on finish req.)

CL100 Mortise Lock Features

The **CL100 Mortise Lock** is a versatile mortise that has many different internal and external hardware options.



- ▮ Suitable for pocket doors and surface sliding doors
- ▮ Easy to operate
- ▮ Corrosion resistant
- ▮ For use with timber or aluminum doors

www.cavitysliders.com

High quality
New Zealand made
products



T (310) 890 8034
(310) 890 6970
F (310) 769 5824
E info@cavilock.com

Cavity Sliders USA Inc.

PO Box 1392
Culver City
CA 90232

Another quality product from:

CavitySliders™
High Quality Sliding Door Hardware