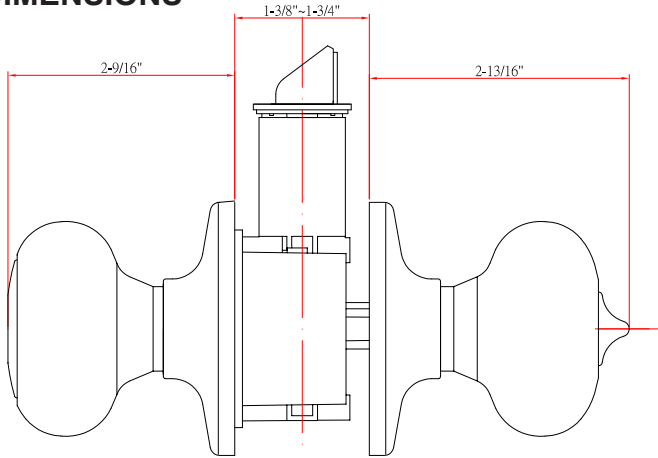


SAXON

GRADE 2 RESIDENTIAL



DIMENSIONS



STANDARD SPECIFICATIONS

Door Prep	Cross bore: 2-1/8" Edge bore: 1" Latch face: 1" x 2-1/4"	Latches	Entrance: 2-3/8" & 2-3/4" adjustable (C9060 R/S) Passage/Privacy: 2-3/8" & 2-3/4" adjustable (C9064 R/S) Faceplate: 1" x 2-1/4" Rd. & Sq. corner Bolt: 1/2" throw
Backset	Fits 2-3/8" and 2-3/4"	Strikes	1-3/4" x 2-1/4" full lip Rd. & Sq. corner (9103 & 9102). Includes Reinforcement Plate.
Door Thickness	1-3/8" ~ 1-3/4" door standard	Wood Screws	Combination screws that suit both wood or metal door mounting. Includes 3" Security Screws.
Cylinder	SC1 5-pin standard; KW1 5-pin optional Entries packed KA5	Grade 2 Features	<ul style="list-style-type: none"> Protective collar Interlocking installation guides Reinforced spring assembly

PRICING

Model	Function	WT/LB	CTN QTY		US3 Bright Brass	US15 Satin Nickel	US10BE Edged Bronze	US5 Antique Brass
100T-SA-G2	Entrance	16 Lbs	10 Pcs	Item No.	G2KS1003	G2KS1001	G2KS1007	G2KS1005
				List Price				
101T-SA-G2	Passage	13 Lbs	10 Pcs	Item No.	G2KS1013	G2KS1011	G2KS1017	G2KS1015
				List Price				
102T-SA-G2	Privacy	13 Lbs	10 Pcs	Item No.	G2KS1023	G2KS1021	G2KS1027	G2KS1025
				List Price				
115-SA	Dummy	9 Lbs	20 Pcs	Item No.	KS1053	KS1051	KS1057	KS1055
				List Price				

FUNCTIONS

	Entrance (100)		Passage (101)
	Privacy (102)		Dummy (115)



THE DELANEY CO.

Copyright © THE DELANEY CO. All rights reserved.