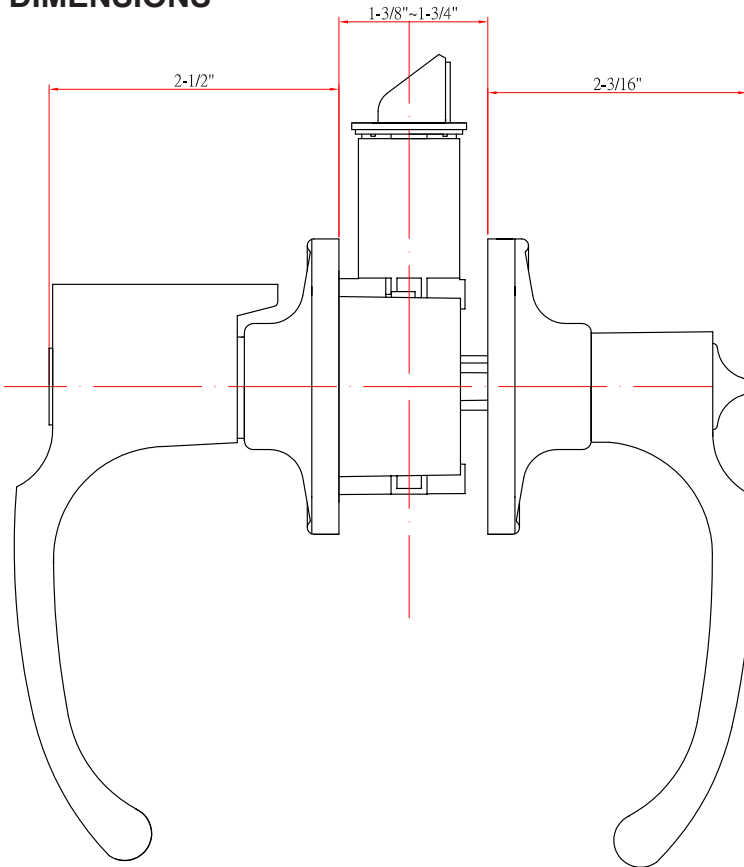


NEWPORT®

GRADE 2 RESIDENTIAL



DIMENSIONS



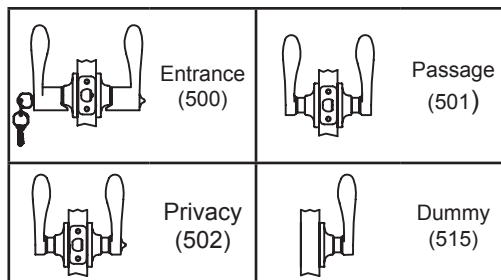
STANDARD SPECIFICATIONS

Door Prep	Cross bore: 2-1/8" Edge bore: 1" Latch face: 1" x 2-1/4"
Backset	Fits 2-3/8" and 2-3/4"
Door Thickness	1-3/8" ~ 1-3/4" door standard
Cylinder	SC1 5-pin standard ; KW1 5-pin optional Entries packed KA5
Latches	Entrance: 2-3/8" & 2-3/4" adjustable (C9060 R/S) Passage/Privacy: 2-3/8" & 2-3/4" adj. (C9064 R/S) Faceplate: 1" x 2-1/4" Rd. & Sq. corner Bolt: 1/2" throw
Strikes	1-3/4" x 2-1/4" full lip Rd. & Sq. corner (9103 & 9102). Includes Reinforcement Plate.
Wood Screws	Combination screws that suit both wood or metal door mounting. Includes 1-1/2" Security Screws
Door Handing	Reversible lever.
Grade 2 Features	<ul style="list-style-type: none"> Protective collar Interlocking installation guides Reinforced spring assembly

PRICING

Model	Function	WT/CTN	CTN QTY		US3 Bright Brass	US15 Satin Nickel	US10BE Edged Bronze
500T-NE-G2	Entrance	21 Lbs	10 Pcs	Item No.	G2KN5003	G2KN5001	G2KN5007
				List Price			
501T-NE-G2	Passage	18 Lbs	10 Pcs	Item No.	G2KN5013	G2KN5011	G2KN5017
				List Price			
502T-NE-G2	Privacy	19 Lbs	10 Pcs	Item No.	G2KN5023	G2KN5021	G2KN5027
				List Price			
515-NE	Dummy	15 Lbs	20 Pcs	Item No.	KN5053	KN5051	KN5057
				List Price			

FUNCTIONS



THE DELANEY CO.

Copyright © THE DELANEY CO. All rights reserved.