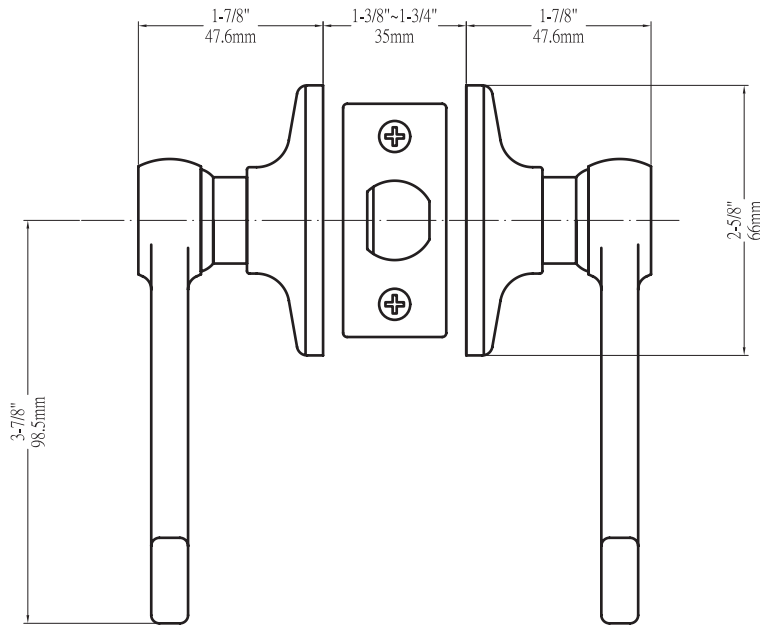


# LEXINGTON

Old World Quality New Age Design



## DIMENSIONS



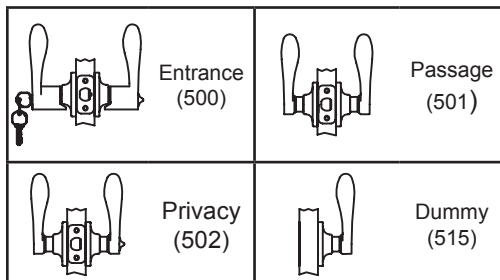
## STANDARD SPECIFICATIONS

<b>Door Prep</b>	Cross bore: 2-1/8" Edge bore: 1" Latch face: 1" x 2-1/4"
<b>Backset</b>	Fits 2-3/8" and 2-3/4"
<b>Door Thickness</b>	1-3/8" ~ 1-3/4" door standard
<b>Cylinder</b>	KW1 5-pin standard; SC1 5-pin optional Entries packed KA5
<b>Latches</b>	Entrance: 2-3/8" & 2-3/4" adjustable (9073) Passage/Privacy: 2-3/8" & 2-3/4" adjustable (9074) Faceplate: 1" x 2-1/4" round corner Bolt: 1/2" throw
<b>Strikes</b>	1-3/4" x 2-1/4" full lip round corner (9103)
<b>Wood Screws</b>	Combination screws that suit both wood or metal door mounting
<b>Door Handing</b>	Reversible lever* *Handing required for Dummy function & Handleset Interior.

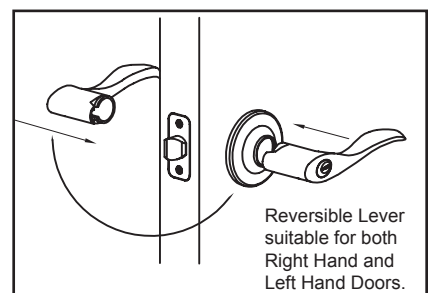
## PRICING

Model	Function	WT/LB	CTN QTY	Finish			
				US3 Bright Brass	US15 Satin Nickel	US5 Antique Brass	
500T - LE	Entrance LE/FD	35 Lbs	20 Pcs	Item No.	—	KA5001	—
				List Price			
500T - LE	Entrance LE/LE	35 Lbs	20 Pcs	Item No.	KA5103	KA5101	KA5105
				List Price			
501T - LE	Passage	23 Lbs	20 Pcs	Item No.	KA5013	KA5011	KA5015
				List Price			
502T - LE	Privacy	24 Lbs	20 Pcs	Item No.	KA5023	KA5021	KA5025
				List Price			
515 - LE	Dummy	15 Lbs	20 Pcs	Item No.	KA5053	KA5051	KA5055
				List Price			

## FUNCTIONS



## HANDING GUIDE



THE DELANEY CO.

Copyright © THE DELANEY CO. All rights reserved.