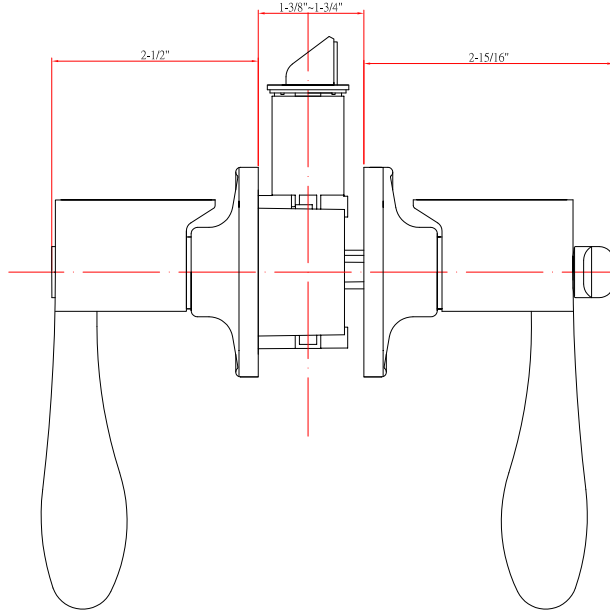


KENDALL® (KINGSTON) GRADE 2 RESIDENTIAL



DIMENSIONS



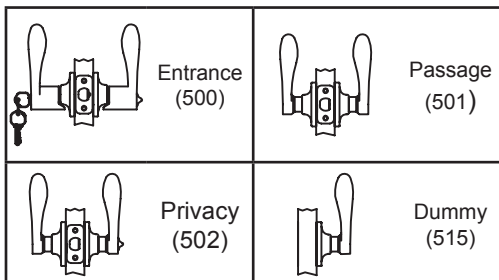
STANDARD SPECIFICATIONS

Door Prep	Cross bore: 2-1/8" Edge bore: 1" Latch face: 1" x 2-1/4"
Backset	Fits 2-3/8" and 2-3/4"
Door Thickness	1-3/8" ~ 1-3/4" door standard
Cylinder	SC1 5-pin standard ; KW1 5-pin optional Entries packed KA5
Latches	Entrance: 2-3/8" & 2-3/4" adjustable (C9060 R/S) Passage/Privacy: 2-3/8" & 2-3/4" adj. (C9064R/S) Faceplate: 1" x 2-1/4" Rd. & Sq. corner Bolt: 1/2" throw
Strikes	1-3/4" x 2-1/4" full lip Rd. & Sq. corner (9103 & 9102). Includes Reinforcement Plate.
Wood Screws	Combination screws that suit both wood or metal door mounting. Includes 1-1/2" Security Screws.
Door Handing	Reversible lever. Handing required for Dummy function only.
Grade 2 Features	<ul style="list-style-type: none"> Protective collar Interlocking installation guides Reinforced spring assembly

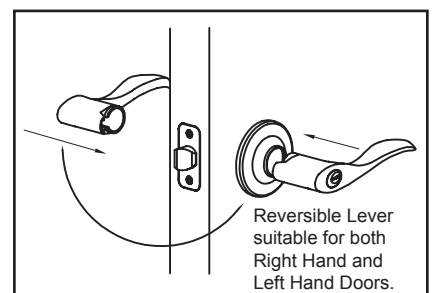
PRICING

Model	Function	WT/ LB	CTN QTY	US3 Bright Brass			US15 Satin Nickel			US10BE Edged Bronze		
				Item No.	List Price		Item No.	List Price		Item No.	List Price	
500T - KI - G2	Entrance	21 Lbs	10 Pcs	Item No.	G2KI5103		Item No.	G2KI5101		Item No.	G2KI5107	
				List Price			List Price		List Price			
501T - KI - G2	Passage	18 Lbs	10 Pcs	Item No.	G2KI5013		Item No.	G2KI5011		Item No.	G2KI5017	
				List Price			List Price		List Price			
502T - KI - G2	Privacy	19 Lbs	10 Pcs	Item No.	G2KI5023		Item No.	G2KI5021		Item No.	G2KI5027	
				List Price			List Price		List Price			
515 - KI	Dummy	15 Lbs	20 Pcs	Item No.	KI5053		Item No.	KI5051		Item No.	KI5057	
				List Price			List Price		List Price			

FUNCTIONS



HANDING GUIDE



THE DELANEY CO.

Copyright © THE DELANEY CO. All rights reserved.