

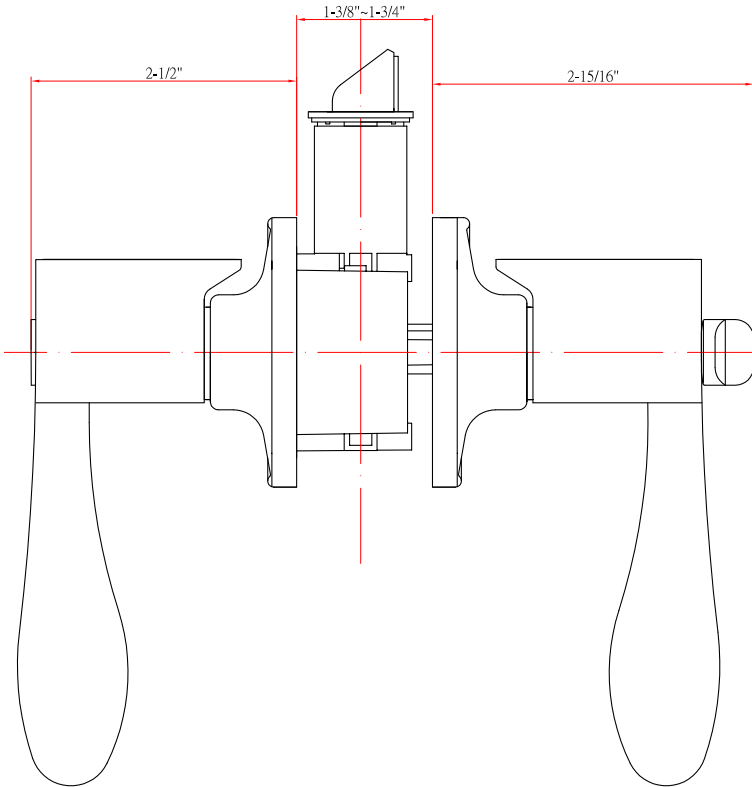
BENNETT®

GRADE 2 RESIDENTIAL

CALLAN®

Grade 2 Residential High Security

DIMENSIONS



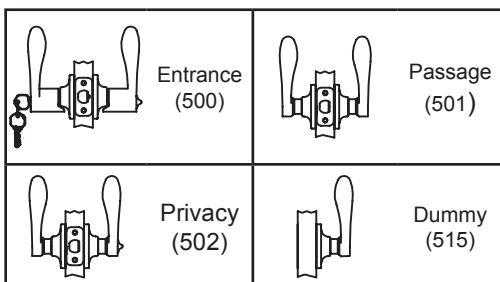
STANDARD SPECIFICATIONS

Door Prep	Cross bore: 2-1/8" Edge bore: 1" Latch face: 1" x 2-1/4"
Backset	Fits 2-3/8" and 2-3/4"
Door Thickness	1-3/8" ~ 1-3/4" door standard
Cylinder	SC1 5-pin standard; KW1 5-pin optional Entries packed KA5
Latches	Entrance: 2-3/8" & 2-3/4" adjustable (C9060 R/S) Passage/Privacy: 2-3/8" & 2-3/4" adj. (C9064 R/S) Faceplate: 1" x 2-1/4" Rd. & Sq. corner Bolt: 1/2" throw
Strikes	1-3/4" x 2-1/4" full lip Rd. & Sq. corner (9103 & 9102). Includes Reinforcement Plate.
Wood Screws	Combination screws that suit both wood or metal door mounting. Includes 1-1/2" Security Screws.
Door Handing	Reversible lever. Handing required for Dummy function only.
Grade 2 Features	<ul style="list-style-type: none"> • Protective collar • Interlocking installation guides • Reinforced spring assembly

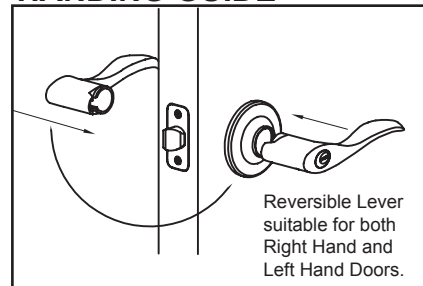
PRICING

Model	Function	WT/CTN	CTN QTY		US3 Bright Brass	US15 Satin Nickel	US10BE Edged Bronze	US5 Antique Brass
500T-BE-G2	Entrance	23 Lbs	10 Pcs	Item No.	G2BE5103	G2BE5101	G2BE5107	G2BE5105
				List Price				
501T-BE-G2	Passage	18 Lbs	10 Pcs	Item No.	G2BE5013	G2BE5011	G2BE5017	G2BE5015
				List Price				
502T-BE-G2	Privacy	19 Lbs	10 Pcs	Item No.	G2BE5023	G2BE5021	G2BE5027	G2BE5025
				List Price				
515-BE	Dummy	15 Lbs	20 Pcs	Item No.	BE5053	BE5051	BE5057	BE5055
				List Price				

FUNCTIONS



HANDING GUIDE



THE DELANEY CO.

Copyright © THE DELANEY CO. All rights reserved.