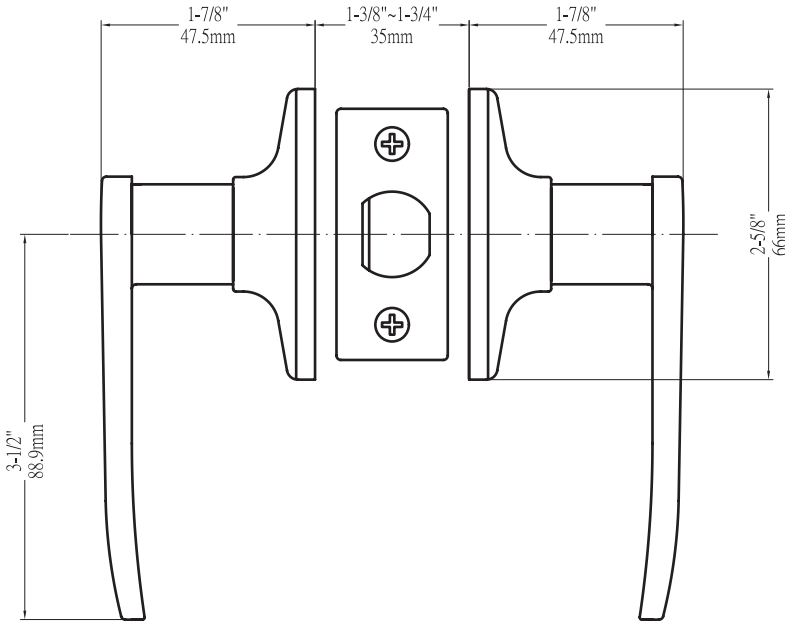


ASHEVILLE® (ASHTON)

Old World Quality New Age Design



DIMENSIONS



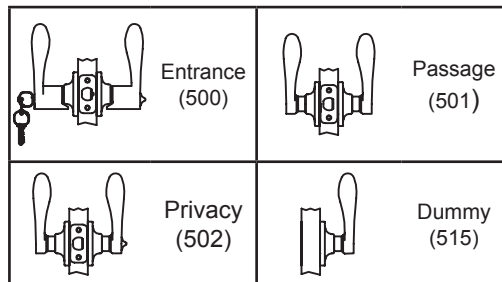
STANDARD SPECIFICATIONS

Door Prep	Cross bore: 2-1/8" Edge bore: 1" Latch face: 1" x 2-1/4"
Backset	Fits 2-3/8" and 2-3/4"
Door Thickness	1-3/8" ~ 1-3/4" door standard
Cylinder	KW1 5-pin standard ; SC1 5-pin optional Entries packed KA5
Latches	Entrance: 2-3/8" & 2-3/4" adjustable (9073) Passage/Privacy: 2-3/8" & 2-3/4" adj.(9074) Faceplate: 1" x 2-1/4" round corner Bolt: 1/2" throw
Strikes	1-3/4" x 2-1/4" full lip round corner (9103)
Wood Screws	Combination screws that suit both wood or metal door mounting
Door Handing	Non-handed lever

PRICING

Model	Function	WT/ LB	CTN QTY	US3 Bright Brass			US5 Antique Brass			US15 Satin Nickel		
				Item No.	Item No.	Item No.	Item No.	Item No.	Item No.	Item No.		
500T - AH	Entrance	35 Lbs	20 Pcs	Item No.	AH5103	AH5105	AH5101					
				List Price								
501T - AH	Passage	23 Lbs	20 Pcs	Item No.	AH5013	AH5015	AH5011					
				List Price								
502T - AH	Privacy	24 Lbs	20 Pcs	Item No.	AH5023	AH5025	AH5021					
				List Price								
515 - AH	Dummy	15 Lbs	20 Pcs	Item No.	AH5053	AH5055	AH5051					
				List Price								

FUNCTIONS



THE DELANEY CO.

Copyright © THE DELANEY CO. All rights reserved.