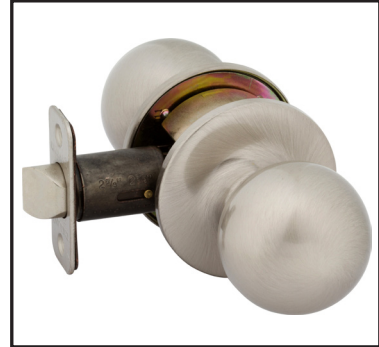
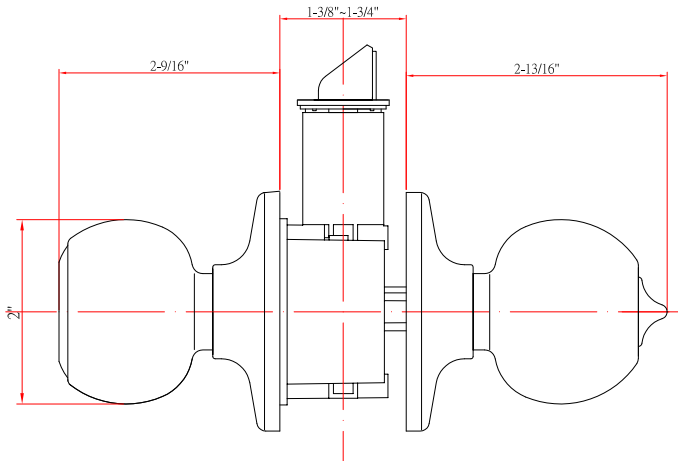


FAIRFIELD®

GRADE 2 RESIDENTIAL



DIMENSIONS



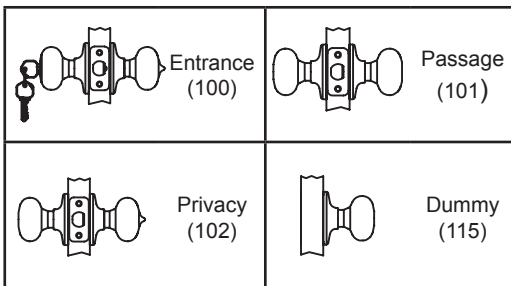
STANDARD SPECIFICATIONS

Door Prep	Cross bore: 2-1/8" Edge bore: 1" Latch face: 1" x 2-1/4"	Latches	Entrance: 2-3/8" & 2-3/4" adjustable (C9060 R/S) Passage/Privacy: 2-3/8" & 2-3/4" adjustable (C9064 R/S) Faceplate: 1" x 2-1/4" Rd. & Sq. corner Bolt: 1/2" throw
Backset	Fits 2-3/8" and 2-3/4"	Strikes	1-3/4" x 2-1/4" full lip Rd. & Sq. corner (9103 & 9102). Includes Reinforcement Plate.
Door Thickness	1-3/8" ~ 1-3/4" door standard	Wood Screws	Combination screws that suit both wood or metal door mounting. Includes 1-1/2" Security Screws
Cylinder	SC1 5-pin standard ; KW1 5-pin optional Entries packed KA5	Grade 2 Features	<ul style="list-style-type: none"> • Protective collar • Interlocking installation guides • Reinforced spring assembly

PRICING

Model	Function	WT/LB	CTN QTY		US3 Bright Brass	US15 Satin Nickel	US10BE Edged Bronze
100T-FD-G2	Entrance	17 Lbs	10 Pcs	Item No.	G2KR1003	G2KR1001	G2KR1007
				List Price			
101T-FD-G2	Passage	14 Lbs	10 Pcs	Item No.	G2KR1013	G2KR1011	G2KR1017
				List Price			
102T-FD-G2	Privacy	14 Lbs	10 Pcs	Item No.	G2KR1023	G2KR1021	G2KR1027
				List Price			
115-FD	Dummy	9 Lbs	20 Pcs	Item No.	KR1053	KR1051	KR1057
				List Price			

FUNCTIONS



THE DELANEY CO.

Copyright © THE DELANEY CO. All rights reserved.