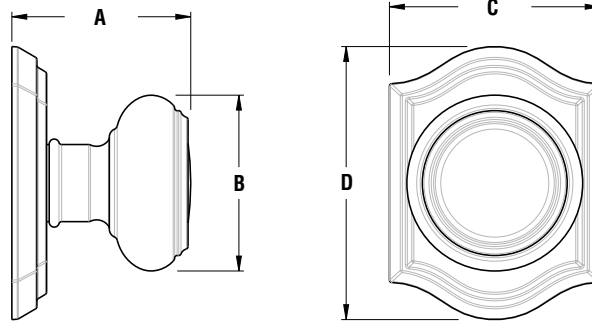


DIMENSIONS & SPECIFICATIONS – KNOBS



KNOBS				
	ELI	ROU	RUS	TRA
A	2-5/16"	2-7/32"	2-7/32"	2-1/4"
A (Keyed)	2-3/16"	2-3/16"	2-3/16"	2-3/16"
B	2-7/16"	Ø 2-3/16"	Ø 2-3/16"	2-7/32"

ROSES							
	TRR	TAR	TSR	CRR	CSR	RAR	RSR
C	2-9/16"	2-21/32"	2-19/32"	2-9/16"	2-9/16"	2-11/16"	2-5/8"
D	2-9/16"	3-7/16"	2-19/32"	2-9/16"	2-9/16"	4-1/2"	4"

KNOB SPECIFICATIONS	
Door Preparation	2-1/8" Cross Bore. 1" edge bore for latch.
Door Thickness	1-3/8" to 2" standard. 2" to 2-1/2" doors optional through thick door option or service part kit.
Cylinder	Baldwin 5-pin C-Keyway.
Backset	Adjustable 2-3/8" or 2-3/4"
Front & Latch	Square Corner Adjustable (SL) standard. Round Corner (RL), Drive In (DL), or 6 Way Adjustable (6L) optional.
Strike	Square Corner (SS) standard. Round Corner (RS), or Dual Strike (DS) optional. Extended Lip strike shipped with all thick door locks (ES).
Latch Bolt	1/2" passage/privacy/entry function bolt.
Handing	Handing not required.
ANSI/BHMA	Tested to exceed ANSI/BHMA Grade 2 security.
ADA	N/A
UL	20-minute certified UL option available.