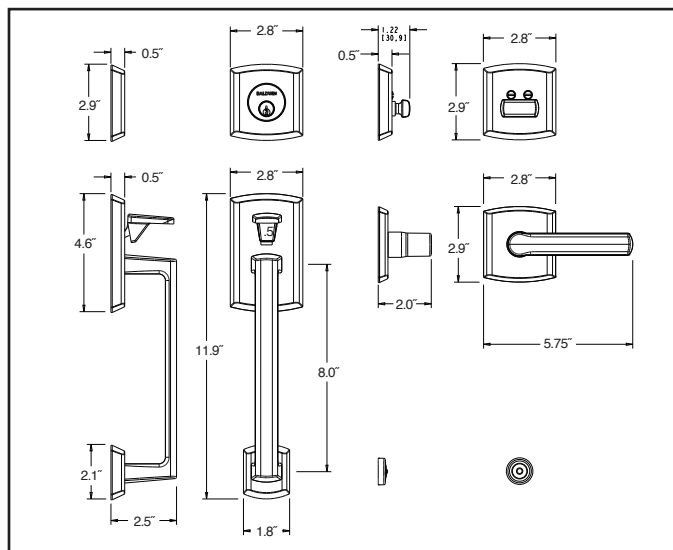


# BALDWIN®

## 5386 - SOHO SECTIONAL TRIM IMAGES HANDLESET

SPECIFICATIONS

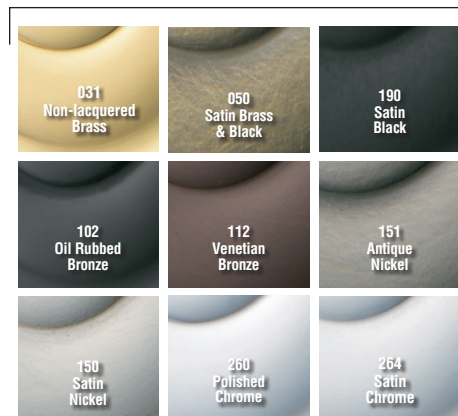


When used in conjunction with Baldwin Commercial HD Mortise Locks:

- > Accessibility Code (ADA) A117.1 for all levers.
- > Certified by Underwriters Laboratories (UL) for use on fire doors up to three-hour rating
- > U L10C / UBC 7-2 (1997) Positive Pressure Rated, UL10B Pressure Rated
- > Material: Solid Forged Brass



### TIER 1 FINISHES



### TIER 2 FINISHES

