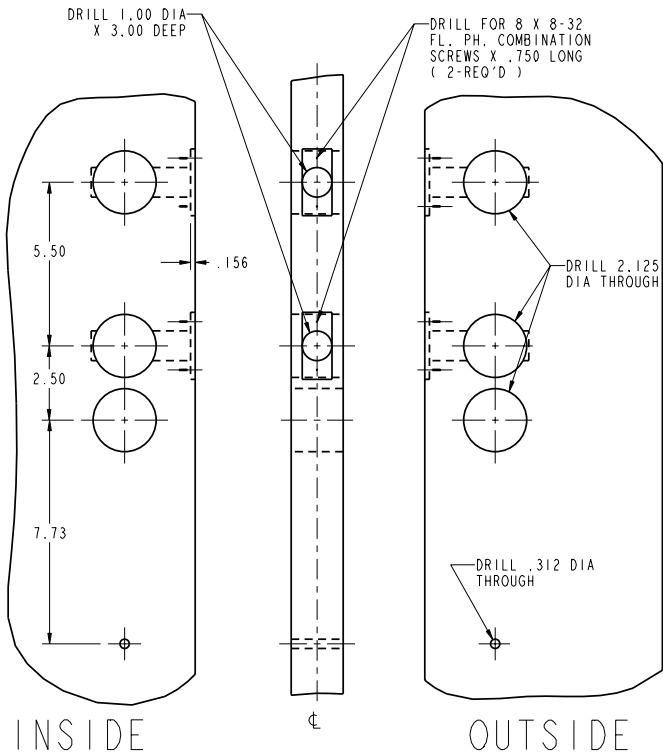
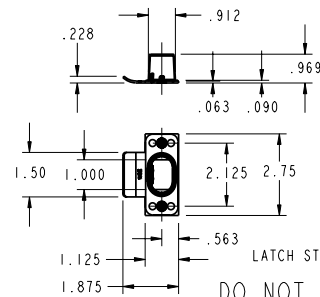
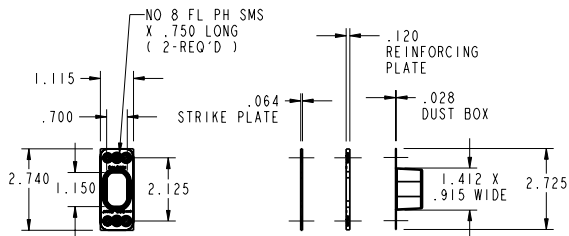
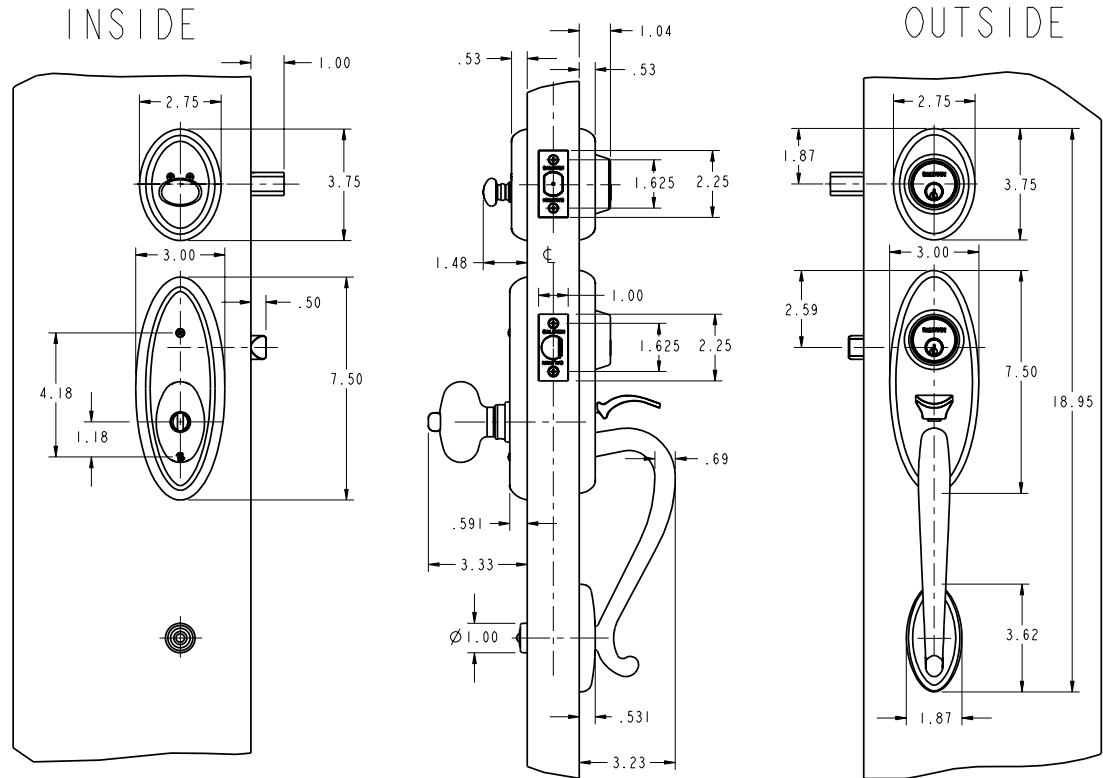


DOOR DETAIL



TRIM DETAIL



DO NOT SCALE DRAWING

	BALDWIN HARDWARE CORPORATION <small>READING, PENNSYLVANIA</small>	BLACK & DECKER COMPANY
	5345-2ENT LANDON KNOB	
TEMPLATE: NO VARIATIONS		TEMPLATE NO.
©2006 BY BALDWIN HARDWARE CORPORATION		IM345KN

EFFECTIVE 02/14/07