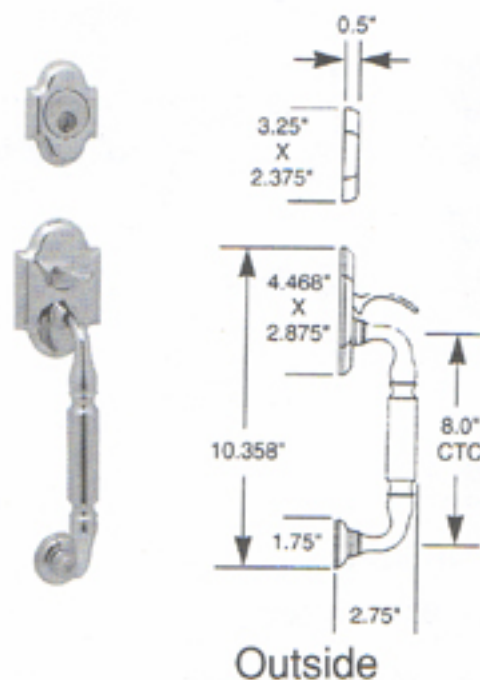
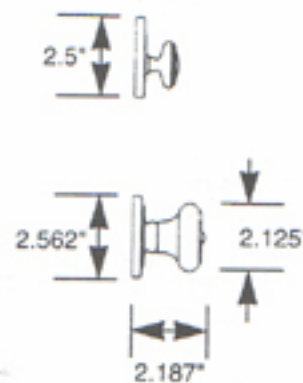


# Images® Sectional Trim Locksets

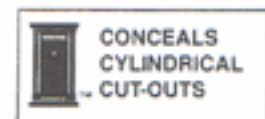
## CANTERBURY® / KNOB No. 5305



Outside



Inside



5305.XXX.ENTR  
5305.XXX.DBLC  
5305.XXX.FD

Single Cylinder Entrance Set - adjustable backset latch and deadbolt 2-3/8" or 2-3/4"  
Double Cylinder Entrance Set - adjustable backset latch and deadbolt 2-3/8" or 2-3/4"  
Full Dummy Set

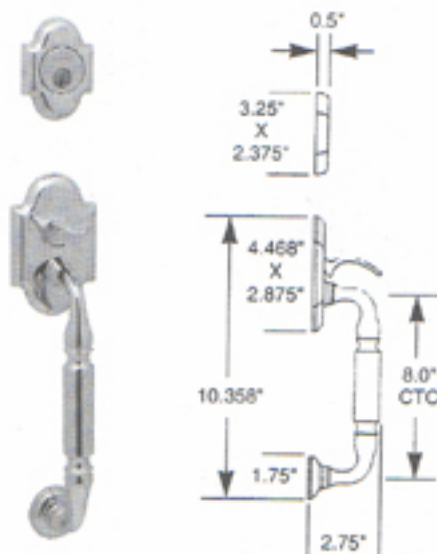
5.81 lbs. (2.64kg)  
6.05 lbs. (2.75kg)  
4.59 lbs. (2.09kg)

**NOTE:** No. 5410 Colonial Knob supplied with each set

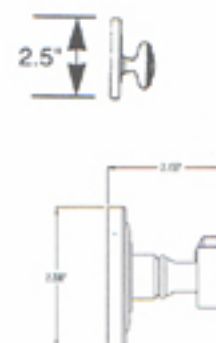
**Contractor Package:** When ordering, prefix product number with the number "8." Example: 85305.003.ENTR

**Visual Package:** When ordering, use product numbers listed above.

## CANTERBURY® / LEVER No. 5305



Outside



Inside



5305.XXX.LHRH  
5305.XXX.LRDB  
5305.XXX.LRFD

Single Cylinder Entrance Set - adjustable backset latch and deadbolt 2-3/8" or 2-3/4" - Left/Right hand  
Double Cylinder Entrance Set - adjustable backset latch and deadbolt 2-3/8" or 2-3/4" - Left/Right hand  
Full Dummy Set - Left/Right hand

6.81 lbs. (3.10kg)  
7.05 lbs. (3.21kg)  
5.59 lbs. (2.54kg)

**NOTE:** (1) Left hand and (1) right hand No. 5455 Wave Lever supplied with each set

**Contractor Package:** When ordering, prefix product number with the number "8." Example: 85305.003.LHRH

**Visual Package:** When ordering, use product numbers listed above.

**STRIKE:** Box strike supplied standard for latch. Other strikes for latch available at an additional charge (consult price list and page 7 for details).

**ORDERING INSTRUCTIONS:** Substitute finish designation XXX in product number (consult price list and page 41 ordering instructions for details).

**PACKAGING:** All Images Entrance Sets are available in Visual or Contractor Package. Visual and Contractor Packages are available in case quantities of four (4) complete sets each.