

# INSTALLATION INSTRUCTIONS

## 780/1/2/3LED MODULES

### IMPORTANT

Before installing your Access Lighting IntelLED system, please make sure that you carefully read through these instruction sheets.

The IntelLED LED system is designed to be installed as a **DIY** plug and play project with the appropriate accessories, however if the system is to be hard-wired and electrical work is involved the system requires installation by a qualified licensed electrician.

### GENERAL INFORMATION

**NOTE:** The important safeguards and instructions that appear in this Manual are not meant to cover all possible conditions and situations that may occur. It must be understood that common sense, caution and care, are factors that can't be built into any product. These factors must be supplied by the person(s) caring for and operating the fixture. The IntelLED system is fully dimmable with most universal dimmers, however it is recommended that LV electronic dimmers are utilized to ensure full system compatibility and efficiency. Non-dimmable installations should not exceed 48ft and dimmable circuits not to exceed 24ft.

With its simple plug and play connections and built-in drivers, the IntelLED system can be used in a variety applications and is important that the project be pre-measured and the correct components and suitable electrical connections are determined before proceeding with the installation.

### SUPPLIED

- LED Module
- 2 x Spring Steel Clips
- 2 x Mounting Screws
- 788CON (butt connector)
- Spliced Wire Connector

### REQUIRED

- Marking pencil.
- Phillips Screwdriver
- Small Blade Screwdriver
- Wire Cutters
- Optional IntelLED Components
- Wiring Supplies as Specified by Electrical Code

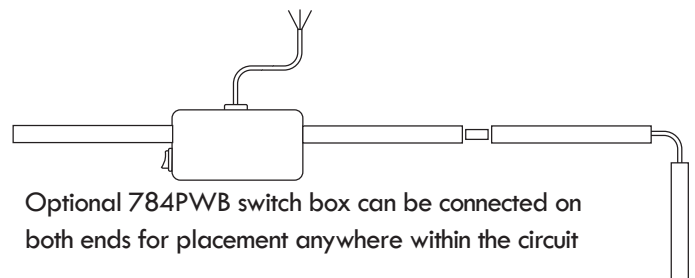
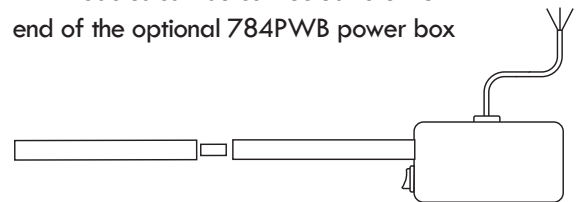
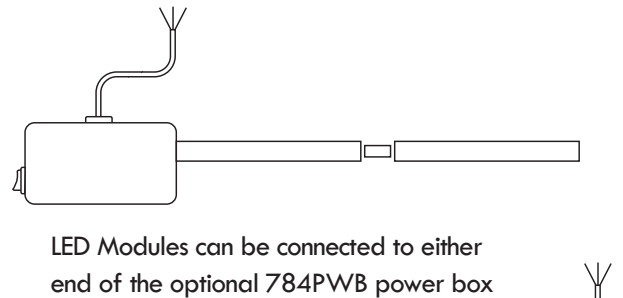
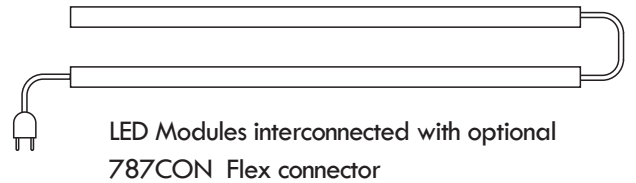
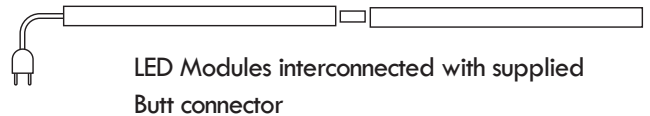
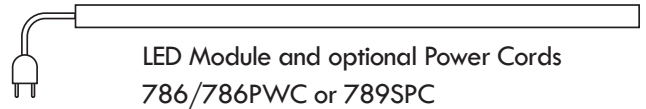
### OPTIONAL INTELED COMPONENTS

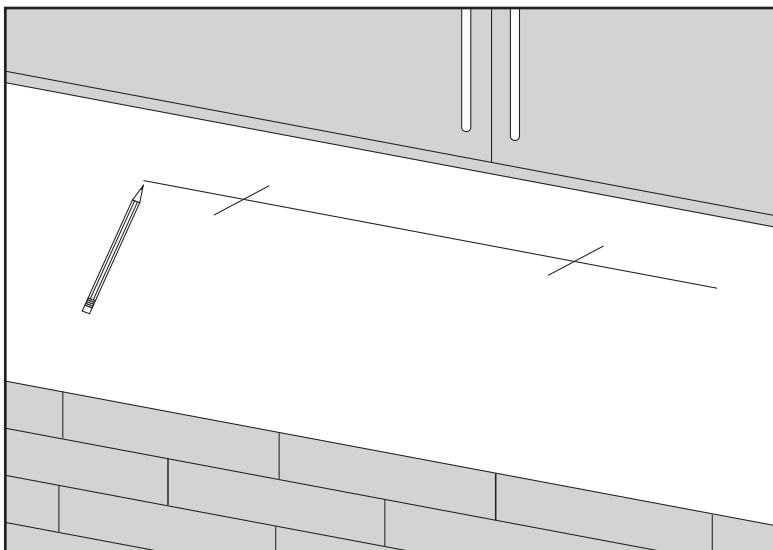
- 780LED 12" Module
- 781LED 22.75" Module
- 782LED 39.5" Module
- 783LED 47" Module
- 784PWB Electrical Box with On/Off Switch
- 785PWC, 786PWC 3ft and 6ft Power Cords and Plugs
- 787CON 11" Flex Connector
- 789SPC 6ft Power Cord with In-Line On/Off Switch.

# IntelLED

## 120v Modular LED system

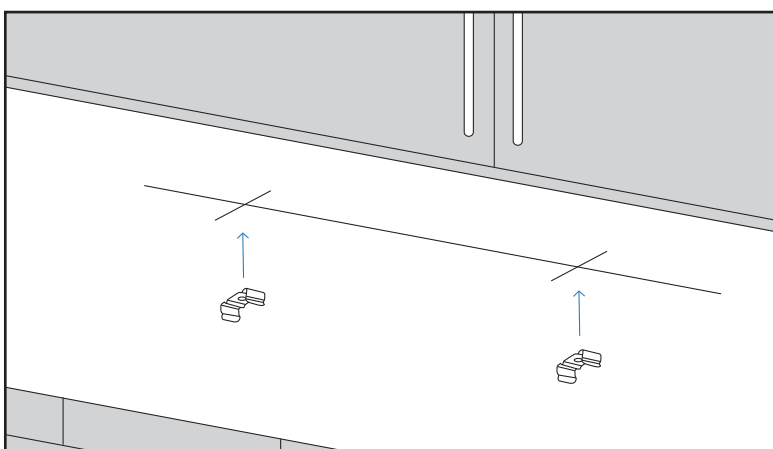
### Customizeable mounting options





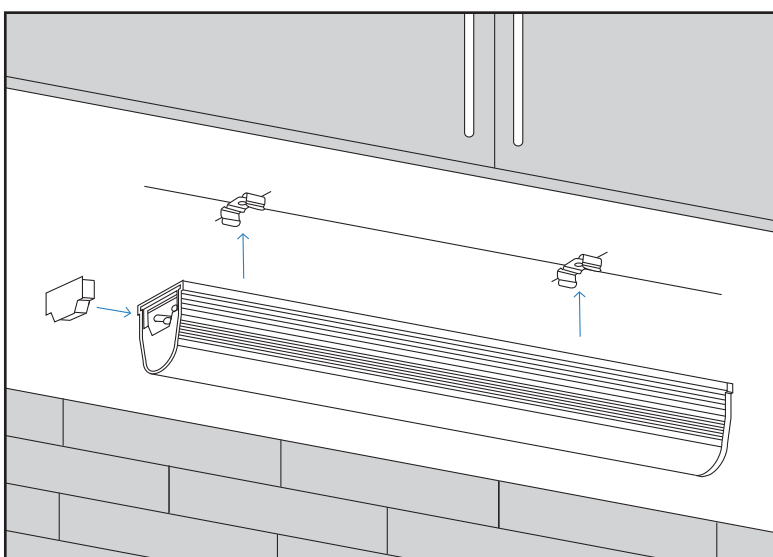
### LED MODULE LAYOUT

- Determine where the module is to be mounted.
- Draw a straight line the length of the module.
- Approximately  $\frac{1}{3}$  from each end mark intercepting points.



### ATTACHING THE SPRING STEEL CLIPS

- Attach the Spring Steel Clips on the intercepting points as marked.



### ATTACHING THE LED MODULE

- Attach the LED module to both Spring Steel Clips.
- Interconnecting the modules by removing the Terminal cover and insert Butt connector or optional Flex connector model 787CON.
- Please ensure that the last module in the system has the Male Socket covered with the terminal cover plate so as to prevent accidental contact and risk of electrical shock.

### IMPORTANT SAFETY INSTRUCTIONS

This portable luminaire has a polarized plug (one blade is wider than the other) as a feature to reduce the risk of electric shock. This plug will fit in a polarized outlet only one way. If the plug does not fit fully in the outlet, reverse the plug. If it still does not fit, contact a qualified electrician. Never use with an extension cord unless plug can be fully inserted. Do not alter the plug.

### CONSIGNES DE SÉCURITÉ IMPORTANTES

Ce luminaire portatif muni d'une fiche polarisée (une lame est plus large que l'autre) comme une fonction pour réduire le risque de choc électrique. Cette fiche s'insère dans une prise polarisée que dans un sens. Si la fiche n'entre pas complètement dans la prise, inversez la fiche. Si cela ne fonctionne toujours pas, contactez un électricien qualifié. Ne jamais utiliser avec une extension Cordon moins que la fiche ne peut être insérée complètement. Ne pas modifier la fiche.