

Model No :: **63113LEDD-BS**  
 Name :: Vortex



Project Name :: \_\_\_\_\_  
 Location :: \_\_\_\_\_  
 Type :: \_\_\_\_\_  
 Quantity :: \_\_\_\_\_  
 Notes :: \_\_\_\_\_

Product Information	
Product ID ::	63113
UPC Code ::	641594223491
Mounting Type ::	Ceiling
Finish ::	Brushed Steel (BS)
Diffuser ::	N/A

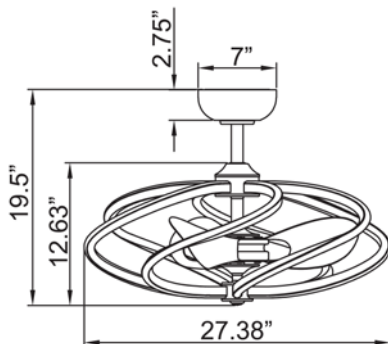
*See Page 2 for Custom Product Options*

Product Dimensions			
<b>Fixture</b>		<b>Canopy</b>	
Length ::	N/A	Length ::	N/A
Width ::	N/A	Width ::	N/A
Diameter ::	27.38"	Diameter ::	N/A
Extension ::	N/A	Height ::	N/A
Height ::	12.63"		
Overall Height ::	N/A		

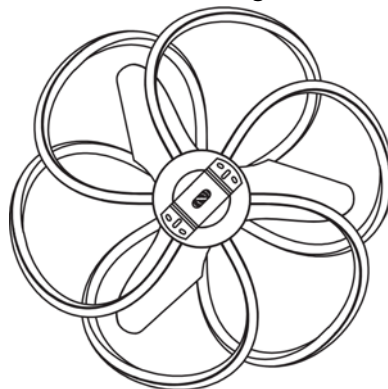
### Technical Specifications

Qualifications	Specifications	Voltage	Recommended Dimmers
Location Rating :: Ceiling	Frame Material :: Aluminum	Voltage :: 120v	(Remote Control) Remote Control
Certification :: cETLus	Diffuser Material :: Acrylic		
IES File :: No	Lamping Type :: N/A	<b>Photometrics</b>	
Title 24 :: No	Lamping Base :: SSL	CCT :: 3000K	
Energy Star :: No	Lamp Quantity :: 6	CRI :: 85	
ADA Compliant :: No	Lamp Wattage :: 10 W	Wattage :: 10	
Marine Grade :: No	Total Wattage :: 60 W	Nominal Lumens :: 5100	
Emergency Lighting :: No	Lamps Included :: Yes	Delivered Lumens :: N/A	
Warranty :: 5 Year Manufacture	J-Box Type :: Standard 4		

Line Drawing #1



Line Drawing #2



IES File

Image Not Available

Toll Free 800-828-5483 or [www.AccessLighting.com](http://www.AccessLighting.com)

14410 Myford Road, Irvine, CA 92606

The information provided is subject to change without notice. ©2018 Access Lighting Corporation. All Rights Reserved  
 Rev. 4/6/2018 Filename:: 63113LEDD-BS.pdf

