

Model No :: **62558LEDDL P-MSS/STARRY**  
 Name :: Galaxy



Project Name :: \_\_\_\_\_  
 Location :: \_\_\_\_\_  
 Type :: \_\_\_\_\_  
 Quantity :: \_\_\_\_\_  
 Notes :: \_\_\_\_\_

**Product Information**

Product ID :: 62558  
 UPC Code :: 641594224733  
 Mounting Type :: Wall  
 Finish :: Mirrored Stainless Steel (MSS)  
 Diffuser :: Starry Night (STARRY)

*See Page 2 for Custom Product Options*

**Product Dimensions**

<b>Fixture</b>		<b>Canopy</b>
Length ::	N/A	Length :: N/A
Width ::	5.1"	Width :: N/A
Diameter ::	N/A	Diameter :: N/A
Extension ::	6.25"	Height :: N/A
Height ::	4.75"	
Overall Height ::	N/A	



**Technical Specifications**

**Qualifications**

Location Rating :: Wall  
 Certification :: cULus  
 IES File :: No  
 Title 24 :: No  
 Energy Star :: No  
 ADA Compliant :: No  
 Marine Grade :: No  
 Emergency Lighting :: No  
 Warranty :: 1 Year  
 Manufacture

**Specifications**

Frame Material :: Stainless Steel  
 Diffuser Material :: Glass  
 Lamping Type :: N/A  
 Lamping Base :: G9  
 Lamp Quantity :: 1  
 Lamp Wattage :: 4.5 W  
 Total Wattage :: 4.5 W  
 Lamps Included :: Yes  
 J-Box Type :: Standard 4

**Voltage**

Voltage :: 120v

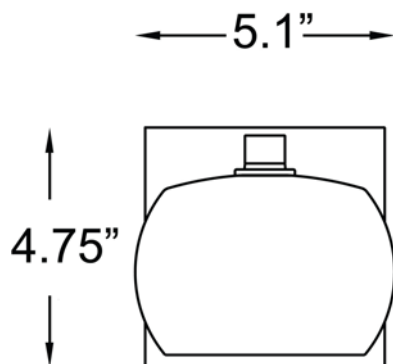
**Photometrics**

CCT :: 3000K  
 CRI :: 80  
 Wattage :: 4.5  
 Nominal Lumens :: 450  
 Delivered Lumens :: N/A

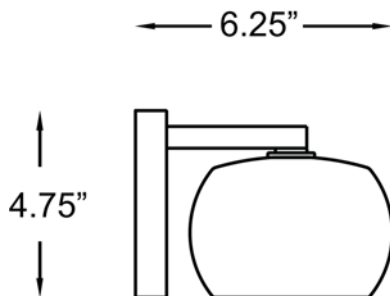
**Recommended Dimmers**

(ELV) LUTRON Diva DVELV-300P; (ELV) LUTRON Diva DVELV-303P; (ELV) LUTRON Skylark SELV-300P; (TRIAC) LUTRON Diva DV-600P

**Line Drawing #1**



**Line Drawing #2**



**IES File**

Image  
Not Available

**Toll Free 800-828-5483 or www.AccessLighting.com**

14410 Myford Road, Irvine, CA 92606

The information provided is subject to change without notice. ©2018 Access Lighting Corporation. All Rights Reserved  
 Rev. 4/6/2018 Filename: 62558LEDDL P-MSS\_STARRY.pdf

