

Model No :: **62293LEDD-BRZ/OPL**  
 Name :: Nitro2



Project Name :: \_\_\_\_\_  
 Location :: \_\_\_\_\_  
 Type :: \_\_\_\_\_  
 Quantity :: \_\_\_\_\_  
 Notes :: \_\_\_\_\_

Product Information	
Product ID ::	62293
UPC Code ::	641594216561
Mounting Type ::	Wall
Finish ::	Bronze (BRZ)
Diffuser ::	Opal (OPL)

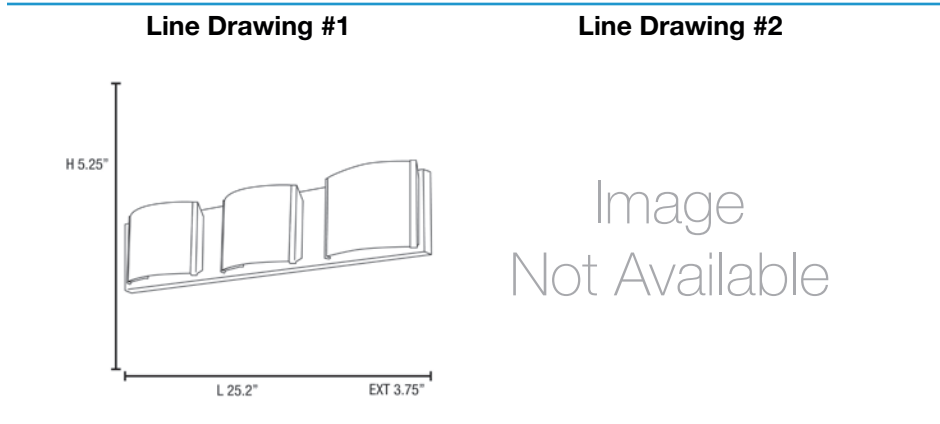
*See Page 2 for Custom Product Options*

Product Dimensions		
<b>Fixture</b>		<b>Canopy</b>
Length ::	N/A	Length :: 24"
Width ::	25.2"	Width :: 5.1"
Diameter ::	N/A	Diameter :: N/A
Extension ::	3.75"	Height :: 0.9"
Height ::	5.25"	
Overall Height ::	N/A	



### Technical Specifications

Qualifications	Specifications	Voltage	Recommended Dimmers
Location Rating :: Wall	Frame Material :: Metal	Voltage :: 120v	(ELV) LUTRON Diva DVELV-300P; (ELV) LUTRON Diva DVELV-303P; (ELV) LUTRON Skylark SELV-300P; (TRIAC) LUTRON Diva DV-600P
Certification :: cETLus	Diffuser Material:: Glass	<b>Photometrics</b>	
IES File :: No	Lamping Type :: N/A	CCT :: 3000K	
Title 24 :: No	Lamping Base :: SSL	CRI :: 90	
Energy Star :: No	Lamp Quantity :: 3	Wattage :: 8	
ADA Compliant :: Yes	Lamp Wattage :: 8 W	Nominal Lumens :: 2250	
Marine Grade :: No	Total Wattage :: 24 W	Delivered Lumens :: N/A	
Emergency Lighting :: No	Lamps Included :: Yes		
Warranty :: 5 Year Manufacture	J-Box Type :: Standard 4		



Line Drawing #2  
 Image Not Available

IES File  
 Image Not Available

Toll Free 800-828-5483 or [www.AccessLighting.com](http://www.AccessLighting.com)

14410 Myford Road, Irvine, CA 92606  
 The information provided is subject to change without notice. ©2018 Access Lighting Corporation. All Rights Reserved  
 Rev. 4/6/2018 Filename:: 62293LEDD-BRZ\_OPL.pdf

