

Model No :: **50162LEDDL- WH/OPL**
 Name :: Orion



Project Name :: _____
 Location :: _____
 Type :: _____
 Quantity :: _____
 Notes :: _____

Product Information

Product ID :: 50162
 UPC Code :: 641594221275
 Mounting Type :: Ceiling
 Finish :: White (WH)
 Diffuser :: Opal (OPL)


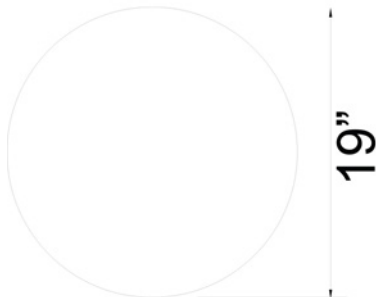
See Page 2 for Custom Product Options

Product Dimensions

Fixture	Canopy
Length :: N/A	Length :: N/A
Width :: N/A	Width :: N/A
Diameter :: 19"	Diameter :: N/A
Extension :: N/A	Height :: 1"
Height :: 4.5"	
Overall Height :: N/A	

Technical Specifications

Qualifications	Specifications	Voltage	Recommended Dimmers
Location Rating :: Ceiling	Frame Material :: Metal	Voltage :: 120v	(ELV) LUTRON Skylark SELV-300P; (MLV) COOPER Aspire 9530SW; (TRIAC) LEGRAND Titan CD703-PW
Certification :: cETLus	Diffuser Material:: Glass	Photometrics	
IES File :: No	Lamping Type :: N/A	CCT :: 3000K	
Title 24 :: Yes	Lamping Base :: E-26	CRI :: 90	
Energy Star :: No	Lamp Quantity :: 3	Wattage :: 10	
ADA Compliant :: No	Lamp Wattage :: 10 W	Nominal Lumens :: 2400	
Marine Grade :: No	Total Wattage :: 30 W	Delivered Lumens :: N/A	
Emergency Lighting :: No	Lamps Included :: Yes		
Warranty :: 1 Year Manufacture	J-Box Type :: Standard 4		

Line Drawing #1	Line Drawing #2	IES File
		Image Not Available

Toll Free 800-828-5483 or www.AccessLighting.com

14410 Myford Road, Irvine, CA 92606
 The information provided is subject to change without notice. ©2018 Access Lighting Corporation. All Rights Reserved
 Rev. 4/6/2018 Filename:: 50162LEDDL- WH_OPL.pdf

