

access

LIGHTING

INSTALLATION INSTRUCTIONS

IMPORTANT

Before assembling your access lighting fixture, please make sure that you carefully read through these instruction sheets. Consider having your fixture installed by a qualified licensed electrician.

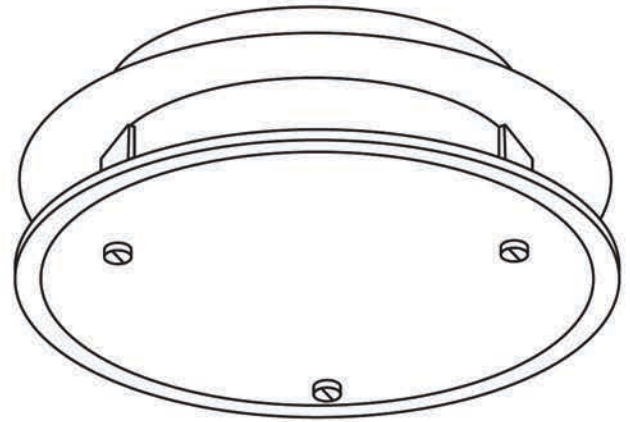
NOTE: The important safeguards and instructions that appear in this manual are not meant to cover all possible conditions and situations that may occur. It must be understood that common sense, caution and care, are factors that can't be built into any product. These factors must be supplied by the person(s) caring for and operating the fixture.

GENERAL INFORMATION

All electrical connections must be in accordance with all ordinances, Local and National Electrical Codes. These fixtures are intended for mounting to a standard 4" x 2 1/2" metal octagon outlet box. The box must be directly supported by the building structure and U.L. Recognized.

STEP BY STEP INSTRUCTIONS

Before starting your installation disconnect the Power by turning off the Circuit Breaker or by removing the fuse at the fuse box. Just turning the light off at the light switch is not sufficient to prevent electrical shock.



COLLECTION

Vision Round

APPLICATION

Ceiling

MODEL NO.

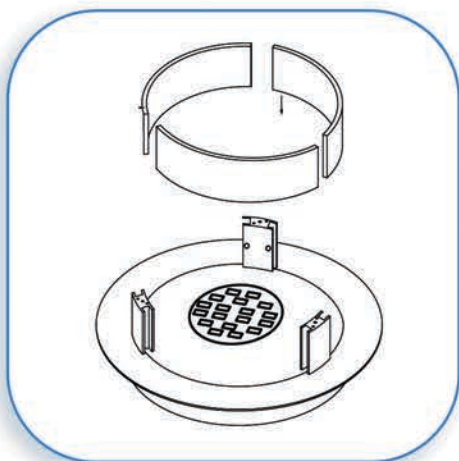
50036LEDD, 50037LEDD,
50038LEDD

WHAT WE PROVIDE

- Crossbar
- Mounting Hardware
- Canopy with Sockets
- 4 x Glass Shades
- LED Module

WHAT YOU NEED

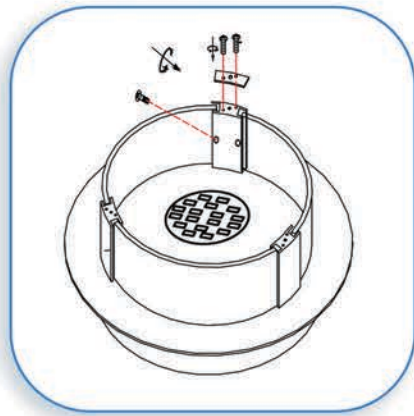
- Screwdriver
- Wire Cutters
- Wiring Supplies as Specified by Electrical Code



1

PREPARE FIXTURE

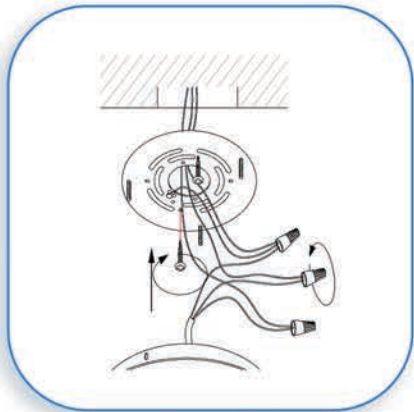
Place the 3pcs glass shades to the glass holders.



2

SECURE THE GLASS SHADES

Secure the 3pcs glass shades to the glass holders with the supplied screws.



3

PREPARE FIXTURE AND CONNECT THE WIRES

If there is an existing fixture remove it.

Expose the supply wire from the outlet box .

Secure the crossbar to the J-box with the supplied screws.

Connect the black supply wire to the black fixture wire.

Secure with the supplied wire nuts. Connect the white

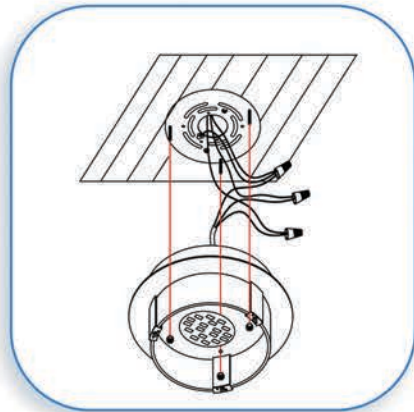
supply wires to the white fixture wire. Secure with the

supplied wire nuts. Either wrap the green wire around

one of the protruding screws or connect it to the supply

ground wire. Secure all wires with U.L. Certified electrical

tape (not supplied).



4

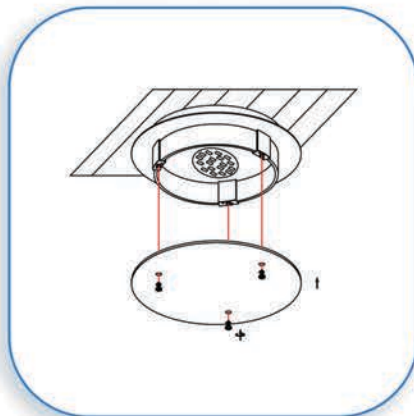
MOUNT THE CANOPY

Hold the fixture canopy up to the crossbar. Align the

holes in the canopy with the designated retaining screws

of the crossbar. Using the supplied screw nuts secure the

canopy to the crossbar.



5

SECURE GLASS SHADE

Hold the glass shade up to the canopy and secure

with the supplied screws.

RESTORE THE ELECTRICITY AND CHECK THE OPERATION OF YOUR NEW ACCESS FIXTURE

CAUTION Please ensure that the fitting is cool and switched off before replacing the bulb. DO NOT use bulbs that might exceed the maximum wattage, stated on caution label.