

# access

LIGHTING

## INSTALLATION INSTRUCTIONS

### IMPORTANT

Before assembling your access lighting fixture, please make sure that you carefully read through these instruction sheets. Consider having your fixture installed by a qualified licensed electrician.

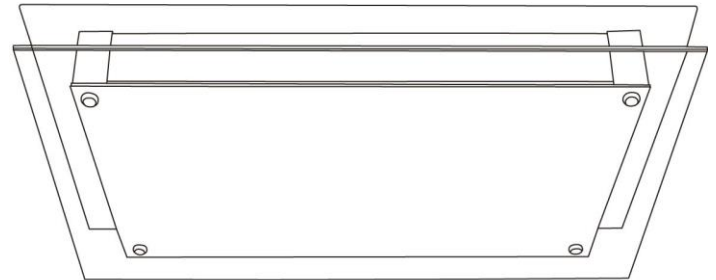
**NOTE:** The important safeguards and instructions that appear in the manual are not meant to cover all possible conditions and situations that may occur. It must be understood that common sense, caution and care are factors that can't be built into any product. These factors must be supplied by the person(s) caring for and operating the fixture.

### GENERAL INFORMATION

All electrical connections must be in accordance with all ordinances, Local and National Electrical Codes. These fixtures are intended for mounting to standard 4" x 2 1/2" metal octagon outlet box. The box must be directly supported by the building structure and U.L. Recognized.

### STEP-BY-STEP INSTRUCTIONS

Before starting your installation disconnect the Power by turning off the Circuit Breaker or by removing the fuse at the fuse box. Just turning the light off at the light switch is not sufficient to prevent electrical shock.



### COLLECTION

Vision

### APPLICATION

Flush-Mount  
Dimmable

### MODEL NO.

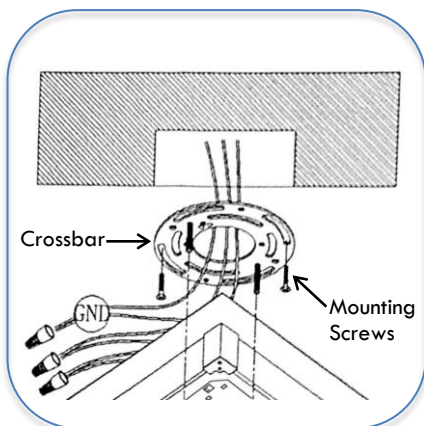
50035LEDD

### WHAT WE PROVIDE

- Back Plate
- Mounting Hardware
- 1 x Glass Shade
- LED Module

### WHAT YOU NEED

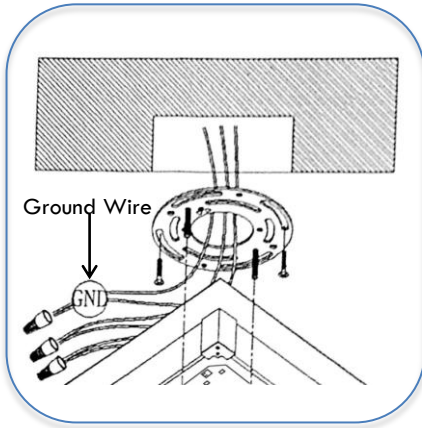
- Screwdriver
- Wire Cutters
- Wiring Supplies as Specified by the Electrical Code



# 1

### PREPARE FIXTURE

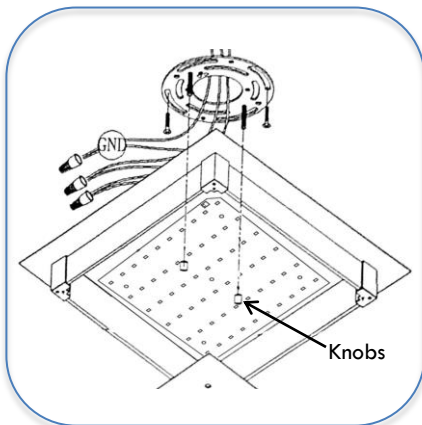
If there is an existing fixture remove it. Expose the supply wire from the outer box. Secure the crossbar to the J-box with the supplied screws. Ensure that the additional screws face downwards.



2

### CONNECT THE WIRES

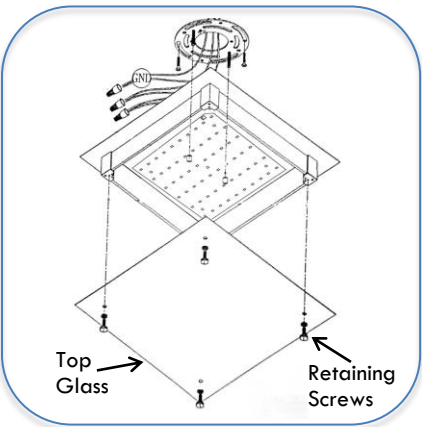
Connect the black supply wire to the black fixture wire. Secure with the supplied wire nuts. Connect the white supply wires to the fixture wire. Secure with the supplied wire nuts. Either wrap the green wire around of the protruding screws or connect it to the supply ground wire. Secure all wire with U.L Certified electrical tape (not supplied). Tuck all wires carefully into the J-box.



3

### MOUNT THE CANOPY

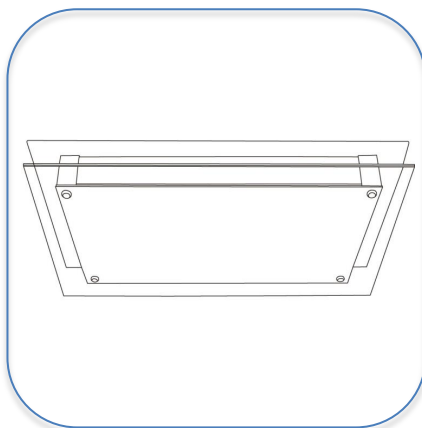
Fit the fixture canopy up to the crossbar. Insert the hanging screws into the designated holes in the canopy. Secure with the supplied thumbscrews.



4

### SECURE THE GLASS SHADE

Secure the glass diffuser to base of the fixture. Align the screws in the diffuser with the designated holes in the base of the fixture. Tighten the screws with a coin. Ensure that the screws are tight enough to secure the glass but not to inflict damage to the glass diffuser.



5

### RESTORE THE ELECTRICITY AND CHECK THE OPERATION OF YOUR NEW ACCESS LIGHTING FIXTURE

CAUTION

If the fixture is to be removed or replaced, please ensure that the electricity is switched off and that the fitting is cool before touching it.