

Model No :: **50035LEDD-BS/FST**
 Name :: Vision



Project Name :: _____
 Location :: _____
 Type :: _____
 Quantity :: _____
 Notes :: _____

Product Information

Product ID :: 50035
 UPC Code :: 641594185201
 Mounting Type :: Ceiling
 Finish :: Brushed Steel (BS)
 Diffuser :: Frosted (FST)

See Page 2 for Custom Product Options

Product Dimensions

Fixture	Canopy
Length :: 18"	Length :: 13.5"
Width :: 18"	Width :: 13.5"
Diameter :: N/A	Diameter :: N/A
Extension :: N/A	Height :: 2"
Height :: 5.1"	
Overall Height :: N/A	



Technical Specifications

Qualifications

Location Rating :: Ceiling
 Certification :: cETLus
 IES File :: Yes
 Title 24 :: Yes
 Energy Star :: No
 ADA Compliant :: No
 Marine Grade :: No
 Emergency Lighting :: No
 Warranty :: 5 Year Manufacture

Specifications

Frame Material :: Metal
 Diffuser Material :: Glass
 Lamping Type :: N/A
 Lamping Base :: SSL
 Lamp Quantity :: 1
 Lamp Wattage :: 36 W
 Total Wattage :: 36 W
 Lamps Included :: Yes
 J-Box Type :: Standard 4

Voltage

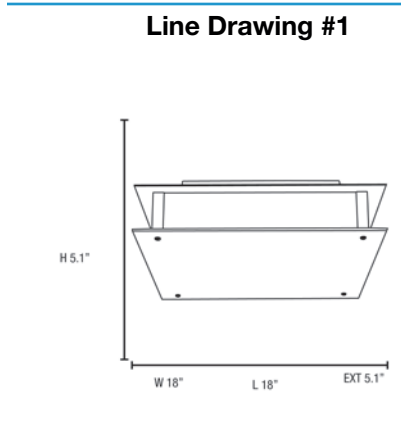
Voltage :: 120-277v

Photometrics

CCT :: 3000K
 CRI :: 85
 Wattage :: 36
 Nominal Lumens :: 4000
 Delivered Lumens :: N/A

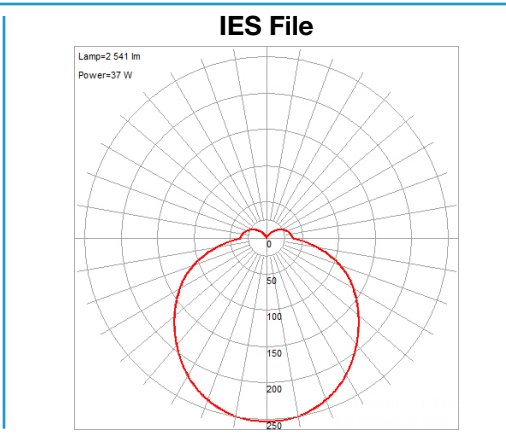
Recommended Dimmers

(ELV) LUTRON Skylark SELV-300P; (MLV) LUTRON Diva DVLV-600P



Line Drawing #2

Image Not Available



Toll Free 800-828-5483 or www.AccessLighting.com

14410 Myford Road, Irvine, CA 92606
 The information provided is subject to change without notice. ©2018 Access Lighting Corporation. All Rights Reserved
 Rev. 4/6/2018 Filename:: 50035LEDD-BS_FST.pdf

